

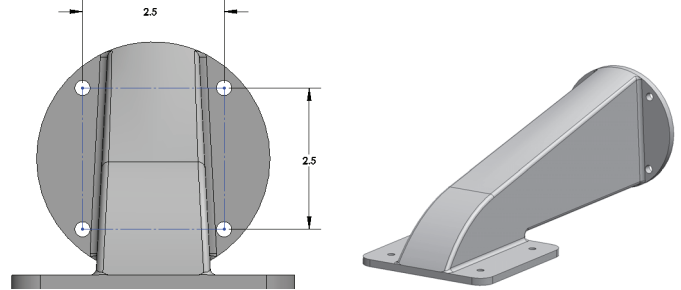
# INSTALLATION INSTRUCTIONS

## SOFTVIEW - WALL MOUNTED ARM

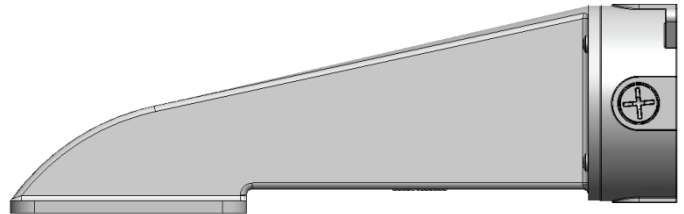
**TOOLS REQUIRED:**

- WIRE NUTS (QTY 3)
- PHILLIPS HEAD SCREWDRIVER #2
- ADJUSTIBLE WRENCH

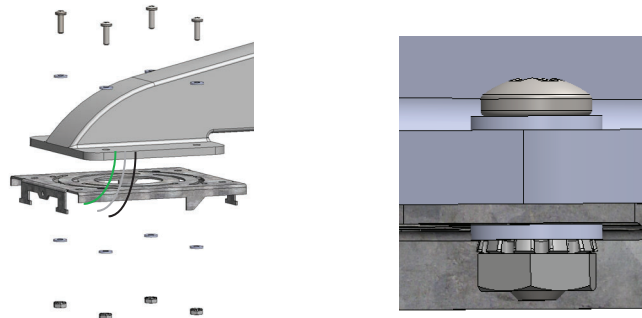
REMOVE SOFTVIEW ARM CASTING FROM SEPARATE CARTON. MEASURE AND MARK HOLE PATTERN OVER A RECESSED JUNCTION BOX OR SURFACE MOUNT CONDUIT BOX (BY OTHERS).



INSTALL (4 QTY) #10 FASTENER (NOT INCLUDED) TO THE WALL MOUNT ARM CASTING. ENSURE THAT WIRE LENGTH IS ADEQUATE TO EXTEND OUT THE BOTTOM OF THE ARM.



INSTALL THE SOFTVIEW SURFACE MOUNTING BRACKET TO THE ARM WITH FASTENERS SUPPLIED IN THE ORDER SHOWN. STARTING WITH THE TOP; #10 PPH SCREW, #10 WASHER, CASTING, SURFACE MOUNTING BRACKET, #10 WASHER, # 10 KEP NUT. TORQUE SCREWS AND NUTS TO 19 IN/LBS.



MOUNT SOFTVIEW TO SURFACE MOUNTING BRACKET BY FOLLOWING THE SAME INSTRUCTIONS ENCLOSED IN LUMINAIRE PACKAGE.

