

INSTALLATION & SERVICE INSTRUCTIONS FOR 80W, 150W, 200W & 300W FLOOD FIXTURES

IMPORTANT: READ BEFORE INSTALLING FIXTURE.
RETAIN FOR FUTURE REFERENCE.

IMPORTANT: READ BEFORE REMOVING FIXTURE FROM CARTON. RETAIN FOR FUTURE REFERENCE.

This fixture must be wired and installed in accordance with the NATIONAL ELECTRICAL CODE and all state and applicable local codes and ordinances. These codes and ordinances supersede any and all instruction contained herein. Installation should be performed only by a licensed and bonded electrician and a person familiar with the construction and operation of the product and the hazards involved in the installation and operation of this product. Proper grounding is required for safety. Make certain power is OFF before installing or maintaining fixture. Failure to do so may increase the RISK OF PERSONAL INJURY, PROPERTY DAMAGE, FIRE, AND DEATH. The manufacturer takes no responsibility for the product not installed under those guidelines and those contained in this document. See wiring diagram below.

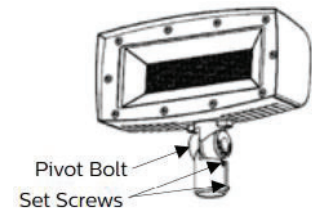
CAUTION: For proper weatherproof function, all gaskets must be seated properly, and all screws inserted and tightened firmly. Apply weatherproof silicone sealant (NOT included) around the edge of the Wall Box and/or Junction Box. This is especially important with an uneven wall surface. Silicone all plugs and unused conduit entries where applicable.

NOTE: For photocontrol models, a small cap is supplied covering eye of photocontrol. Remove cap for proper photocell function. To over-ride photocontrol, keep cap installed. If cap is removed, light from passing cars and other luminaires can cause the fixture to turn on and/or off intermittently. Please consider this when installing.

Mounting Instructions (Slip Fitter)

NOTE: Slip fitter option is compatible with 2-3/8" diameter pole maximum.

1. Make wiring connections to the light fixture using the wire nuts supplied. Follow wiring instructions given below for proper wiring.
2. Inspect to ensure all 4 set screws are backed out of inner diameter of slip fitter. Use included 5/32" hex wrench to adjust as needed.
3. Guide connected wires down into pole and slide slip fitter onto pole. Ensure that wires are not being pinched.
4. Tighten 4 set screws to pole and torque to 110 in.lbs.
5. To adjust angle of fixture, loosen external pivot bolt with included 5/16" hex wrench. Set in desired position, then with torque wrench tighten bolt to 180 in.lbs.

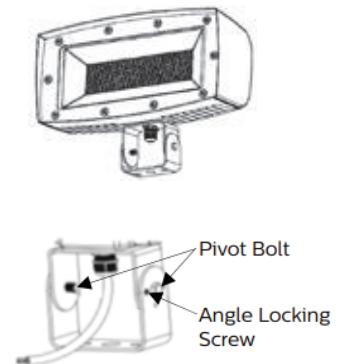


Mounting Instructions (Trunnion Mount)

CAUTION: UL and C-UL listed or CSA certified liquid tight cord grip suitable for use with three conductor type STW flexible cord shall be used for connection to a wet location outlet box provided by other.

WARNING: Installer must assure suitability of the surface to safely support the luminaire. Do not install if any parts are damaged. Installer must assure that mounting hardware is seated properly in mounting flange of trunnion and that it is not damaged. Hardware should be torqued appropriately to ensure fixture stability.

1. Mount trunnion bracket noting warning above.
2. Make wiring connections to the light fixture using the wire nuts supplied. Follow wiring instructions given below for proper wiring.
3. To adjust angle of fixture, loosen pivot bolts and angle locking screw. Set in desired position, then torque pivot bolts to 132 in. lbs.



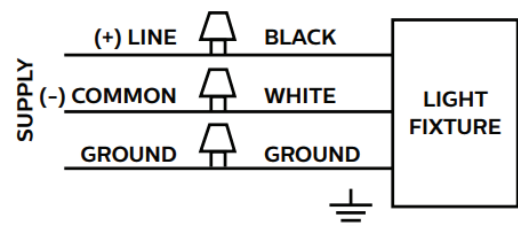
ON-OFF WIRING METHOD:

NOTE: Make sure that the mains voltage is appropriate and conforms with luminaire driver.

1. Connect the green GROUND wire from the fixture to the supply GROUND.
2. Connect the WHITE lead from the fixture to the (-) NEUTRAL supply wire.
3. Connect the BLACK lead from the fixture to the (+) HOT supply wire.

TROUBLESHOOTING:

1. Check that the line voltage at the fixture is correct.
2. Check that there is voltage at the fixture. If there is no voltage, check all connections.
3. Ensure that the fixture is grounded properly.



© 2018 Signify Holding. All rights reserved. This document contains information relating to the product portfolio of Signify which information may be subject to change. No representation or warranty as to the accuracy or completeness of the information included herein is given and any liability for any action in reliance thereon is disclaimed. The information presented in this document is not intended as any commercial offer and does not form part of any quotation or contract. All trademarks are owned by Signify Holding or their respective owners.