

CHLORIDE

by  Signify

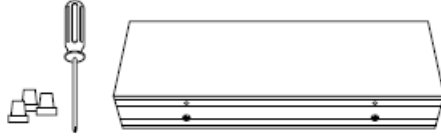
Exit & Emergency

Architectural Message Sign

AMS Series

What You Need:

Phillips Head Screw Driver
Control Switch (*ordered separately*)
Appropriate Wall Fasteners
Wire Connectors
Pencil
Level



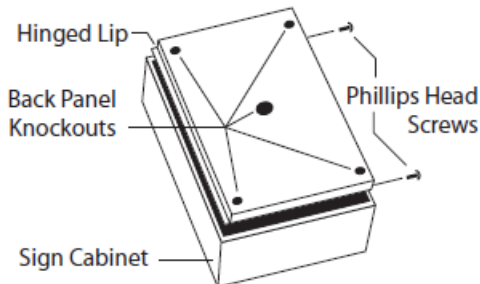
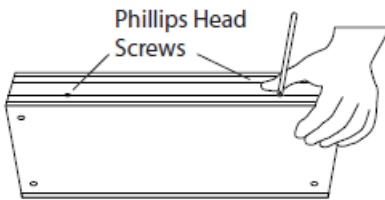
Always turn off the power prior to installation.



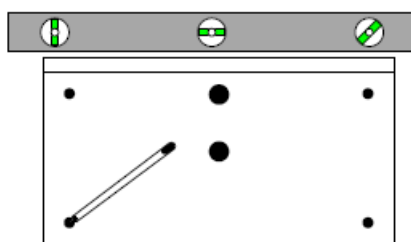
Be sure any metal debris cleared out of the cabinet.

Installation Steps

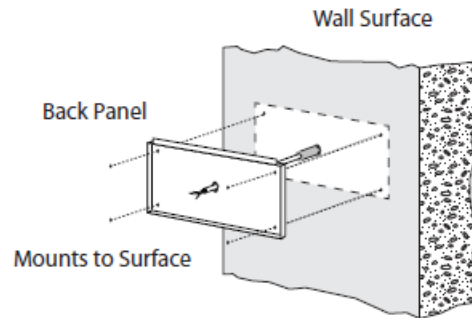
1. Using a Phillips head screw driver, remove the two screws on the bottom of the cabinet. With the screws removed the back will lift off the cabinet. Remove the four mounting knockouts and the center knockout for your power conduit.



2. Place the back panel on the wall surface using a level to make sure it's straight. Use a pencil to mark the locations of the mounting holes on your wall surface. Drill your wall surface. The diameter of the (4) four corner mounting knockouts is 1/4" and the conduit knockout is 7/8".

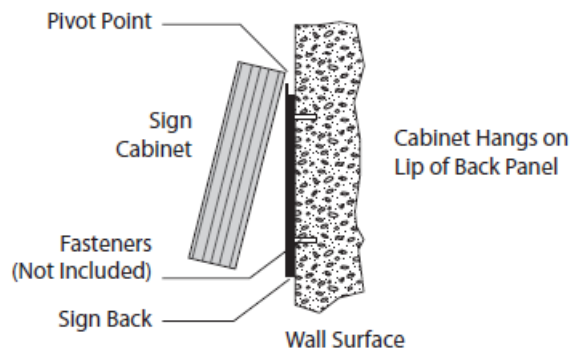


3. Pull your electrical through the back panel and attach the back to the wall surface using appropriate fasteners.



Be sure any metal debris cleared out of the cabinet.

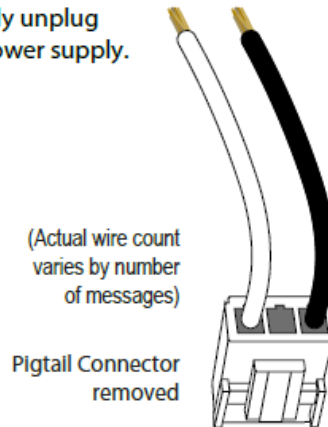
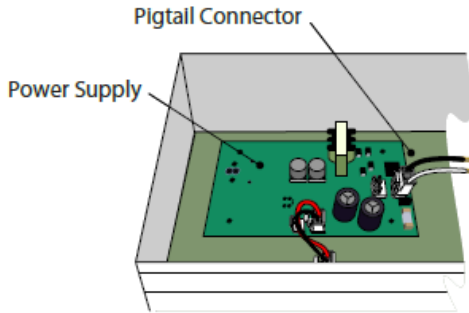
4. Make your electrical wiring connections. See the other side of this page.
5. With the electrical connections made, hang the sign cabinet on the lip of the back panel you mounted to the wall. Finish your electrical connection to the sign by reinstalling the pigtail connector to the power supply. The connector is "keyed" and can only be installed in one orientation. Close the cabinet and replace the two Phillips head screws you removed in step one.



IS-7722990B Architectural Message Sign – AMS Series

Making your Wiring Connections

1. To make your electrical connections easier, gently unplug the supplied wired pigtail connector from the power supply.



2. With your incoming power already running through the mounted back you can easily make all connections to the pigtail using wire connectors. (See table below for general wiring guidelines)

3. Plug the pigtail connector back into the power supply to finish off the electrical part of your installation. The connector is "keyed" and can only be installed in one orientation

4. You're done with the electrical! Time to close up the sign by pushing the cabinet closed and replacing the two screws you removed from the bottom of the cabinet.



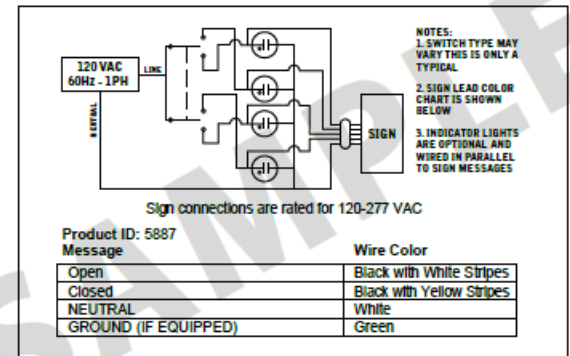
Note: Make appropriate wiring connections per local code.

General Wiring Guidelines*

Number of Messages	Typical Wire (Lead) Colors
Message 1	Black with White Stripes
Message 2	Black with Yellow Stripes
Message 3	Black with Red Stripes
Message 4	Black with Blue Stripes
Message 5	Black with Gray Stripes
Message 6	Black with Orange Stripes
Message 7	Black with Purple Stripes
Message 8	Black with Green Stripes
Message 9	Black with Brown Stripes



Wiring Label Sample for a typical 2 Message OPEN | CLOSED Sign



*Neutral is solid White and Ground (if equipped) is solid Green.



Note: Refer to the wiring label inside the sign for the specific instructions on wiring your sign.



Note: Make appropriate wiring connections per local code.

Note: Any holes drilled into sign cabinet MUST be sealed. Failure to do so may cause a short and void warranty.

Note: This sign is intended to be installed in accordance with the requirements of Article 600 of the National Electric Code and/or other applicable local codes. This includes proper grounding and bonding of the sign.

Note: This unit contains a built-in CLASS 2 LED driver.

WARNING - Risk of Fire or Electric Shock. Do Not interconnect output terminations.

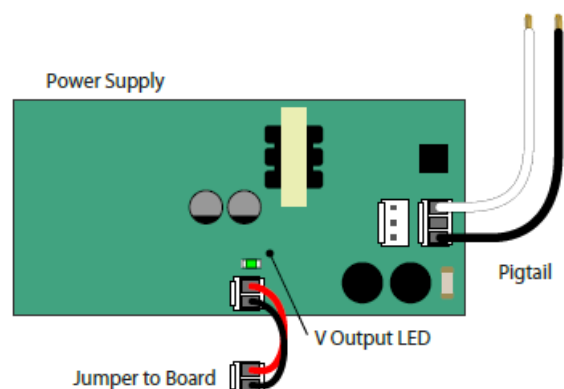
Normal Operation

There is one (1) LED on the power supply located close to the connector with the Red and Black wires. This LED marked V OUT, will illuminate green when 120 - 277VAC power is applied to the Pigtail.

Check the LED on each power supply since there may be more than one power supply per message.

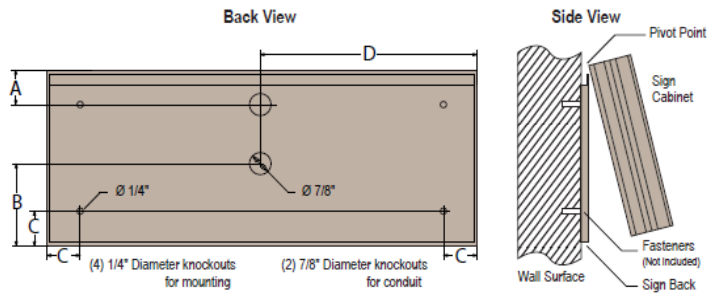


Note: Transformer on power supply converts 120 - 277VAC to 12V.



IS-7722990B Architectural Message Sign – AMS Series

Wall Mount Installation



Cabinet High x Wide (Inches)	Dimension A Mounting Hole Vertical (Half of Sign Height)	Dimension B Center Knock-out Vertical	Dimension C Mounting Hole Horizontal	Dimension D Center Knock-out Horizontal (Half of Sign Width)
7 x 18	1½"	3½"	1¼"	9"
7 x 34	1½"	3½"	1¼"	17"
7 x 42	1½"	3½"	1¼"	21"
14 x 18	1½"	7"	1¼"	9"
14 x 34	1½"	7"	1¼"	17"
14 x 42	1½"	7"	1¼"	21"

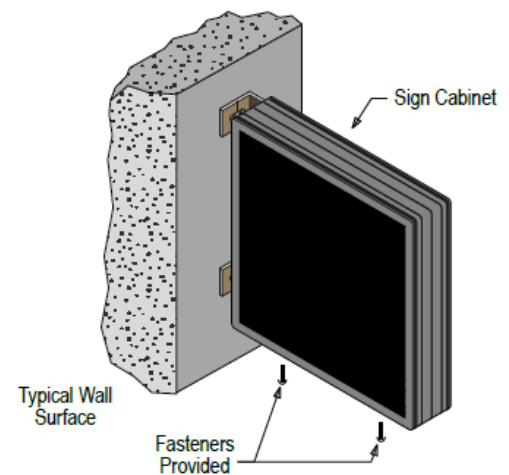
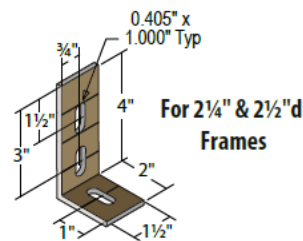
Side mount brackets

Step 1. Open sign by removing the screws on bottom lip of cabinet.

Step 2. Slide the Recessed Frame over the cabinet flush with the sign face. Drill into the cabinet using the holes in the Recessed Frame. Fasten frame to cabinet sides.

Step 3. Clear all aluminum chips from inside cabinet after drilling. Close cabinet and replace removed screws. Slide cabinet with frame into wall cavity.

Step 4. Secure frame and cabinet in wall cavity using appropriate fastening hardware or silicone adhesive between the frame and substrate.



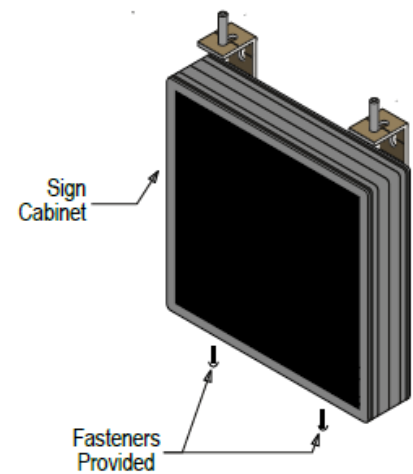
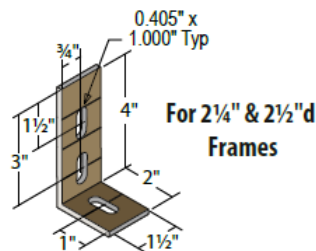
Ceiling mount brackets

Step 1. Open sign by removing the screws on bottom lip of cabinet.

Step 2. Slide the Recessed Frame over the cabinet flush with the sign face. Drill into the cabinet using the holes in the Recessed Frame. Fasten frame to cabinet sides.

Step 3. Clear all aluminum chips from inside cabinet after drilling. Close cabinet and replace removed screws. Slide cabinet with frame into wall cavity.

Step 4. Secure frame and cabinet in wall cavity using appropriate fastening hardware or silicone adhesive between the frame and substrate.



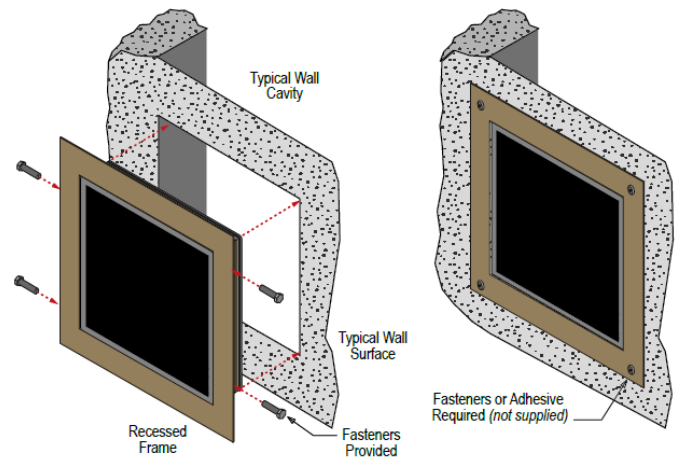
Recessed frame

Step 1. Open sign by removing the screws on bottom lip of cabinet.

Step 2. Slide the Recessed Frame over the cabinet flush with the sign face. Drill into the cabinet using the holes in the Recessed Frame. Fasten frame to cabinet sides.

Step 3. Clear all aluminum chips from inside cabinet after drilling. Close cabinet and replace removed screws. Slide cabinet with frame into wall cavity.

Step 4. Secure frame and cabinet in wall cavity using appropriate fastening hardware or silicone adhesive between the frame and substrate.



Pendant mount

Step 1. Bolt baseplate(s) to pad or bury post(s) as appropriate for location.

Step 2. Slide mounting bracket on sign into post channel(s).

Step 3. Align the cabinet flush with top of the post(s).

Step 4. Tighten the set screw in the mounting bracket(s) and fasten the post cap(s) on the post(s).

