

**IMPORTANT:** FOR YOUR PROTECTION, YOU MUST CAREFULLY READ ALL WARNINGS AND INSTRUCTIONS IN THEIR ENTIRETY PRIOR TO INSTALLATION, OPERATION, SERVICE OR MAINTENANCE. FAILURE TO DO SO CAN RESULT IN DEATH, PERSONAL INJURY AND PROPERTY DAMAGE. If you do not understand these warnings and instructions, or if additional information is desired, please contact Signify at [SanMarcos.TSC@signify.com](mailto:SanMarcos.TSC@signify.com) phone 800-227-0758.

- Installation, service and maintenance of luminaires must be performed by a qualified professional and in accordance with all federal, state and local laws, regulations and electrical codes. This professional should be familiar with the construction and operation of this product and any hazards involved. If not qualified, do not attempt installation, service or maintenance.
- To reduce the risk of death, personal injury or property damage from fire, electric shock, falling parts, cuts, abrasions and other hazards, please read all warnings and instructions included with the luminaire, on the luminaire's packaging and affixed to the luminaire itself.
- Maintenance of the luminaires should be performed by person(s) familiar with the luminaire's construction and operation and any hazards involved.



## WARNING

### RISK OF FIRE, ELECTRIC SHOCK OR PERSONAL INJURY

- Disconnect or turn off power before attempting any installation, service or maintenance.
- Verify that supply voltage is correct by referencing the luminaire label information.
- Make all electrical and ground connections in accordance with the National Electrical Code (NEC) and any other applicable laws, regulations or codes.
- All wiring connections should be capped with UL-approved wire connectors.



## WARNING

### RISK OF PERSONAL INJURY

- Wear gloves and safety glasses at all times when removing luminaire from carton, installing, servicing or performing maintenance.
- Avoid direct eye exposure to the light source while it is on.



## WARNING

### RISK OF FIRE OR PERSONAL INJURY

- Keep combustible materials away from LED/lamp & lens
- Do not operate in close proximity to persons, combustible materials or substances affected by heat or drying.



## WARNING

### RISK OF FIRE, ELECTRIC SHOCK OR PERSONAL INJURY

- Allow Led/lamp & lens to cool before handling.
- Do not touch enclosure or light source
- Do not exceed maximum wattage marked on luminaire label.
- Follow all manufacturer's warnings, recommendations, instructions and restrictions for driver type, burning position, mounting locations and replacement.



## CAUTION

### RISK OF PRODUCT DAMAGE

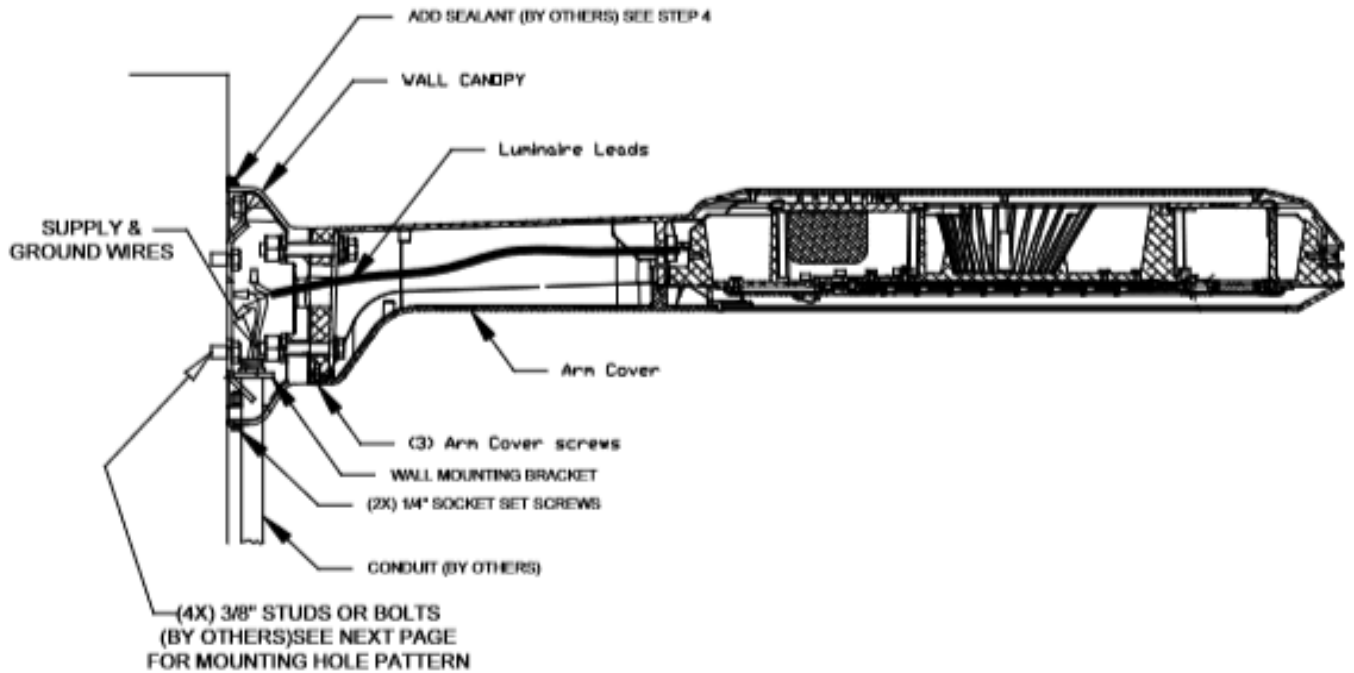
- Never connect luminaires and/or components under load with supply voltage turned on.
- Do not mount or support these luminaires in a manner that can cut the outer jacket or damage wire insulation.
- Do not restrict fixture ventilation. Allow for some volume of airspace around luminaire. Avoid covering luminaire with insulation, foam or other material that will prevent convection or conduction cooling.
- Do not exceed luminaire maximum ambient temperature.
- Do not modify the luminaire.
- Only use luminaire in its intended application and location.
- Led products are polarity sensitive. Ensure proper polarity before installation.
- Electrostatic Discharge (ESD) can damage LED. Personal grounding equipment must be worn during all installation and servicing of the luminaire.
- Do not touch individual electrical components as this can cause ESD, shorten LED life, or impact LED performance.
- Some components inside the luminaire may not be serviceable. In the unlikely event your luminaire may require service, stop using it immediately and contact [SanMarcos.TSC@signify.com](mailto:SanMarcos.TSC@signify.com) phone 800-227-0758.
- Always read the luminaires complete installation instructions prior to installation for any additional luminaire specific warnings.
- In the case of HID or Fluorescent luminaires, regular re-lamping is required to keep luminaire operating within safe limits
- **Do not install damaged product.** Handling and installing damaged products can potentially increase the risks mentioned. In case of damage and/or missing parts upon arrival of the luminaire, please contact [SanMarcos.TSC@signify.com](mailto:SanMarcos.TSC@signify.com) phone 800-227-0758.
- These instructions do not purport to cover all details or variations in equipment nor to provide every possible contingency to meet in connection with installation, operation or maintenance. Should further information be desired or should particular problems arise which are not covered sufficiently for the purchaser's or owner's purposes, this matter should be referred to [SanMarcos.TSC@signify.com](mailto:SanMarcos.TSC@signify.com) phone 800-227-0758.
- Please see luminaire specific Installation and Maintenance Instruction for additional warnings or any applicable FCC or regulatory statements. Failure to follow any of these Instructions could void luminaires warranties.

### Luminaire Maintenance

- Regular luminaire maintenance programs are recommended.
- It is recommended to clean the outside of the luminaire and the refractor/lens.
- Frequency of cleaning will depend on ambient dirt level and minimum light output which is acceptable to user.
- If clean water is not sufficient for cleaning, use a neutral, synthetic, not-scratching and not-abrasive cleaning substance.
- Never use alkaline and/or acetous cleaning substances.
- Make sure that the cleaning substance is carefully removed by rinsing with lots of clean water.
- Signify recommends using a cleaning solution that has a PH between 5 and 8.
- Recycle: For information on how to recycle electronic products and components, please visit [www.epa.gov](http://www.epa.gov).

INSTALLATION INSTRUCTIONS	LUMINAIRE	PN:443561200670	Rev:C
SLENDERFORM ROUND ARM WALL CANOPY		Page 2 of 3	
(WITH SURFACE CONDUIT)			

**IMPORTANT: READ ALL INSTRUCTIONS BEFORE PERFORMING ANY WORK.  
BE SURE ALL POWER IS OFF PRIOR TO INSTALLING LUMINAIRES.**

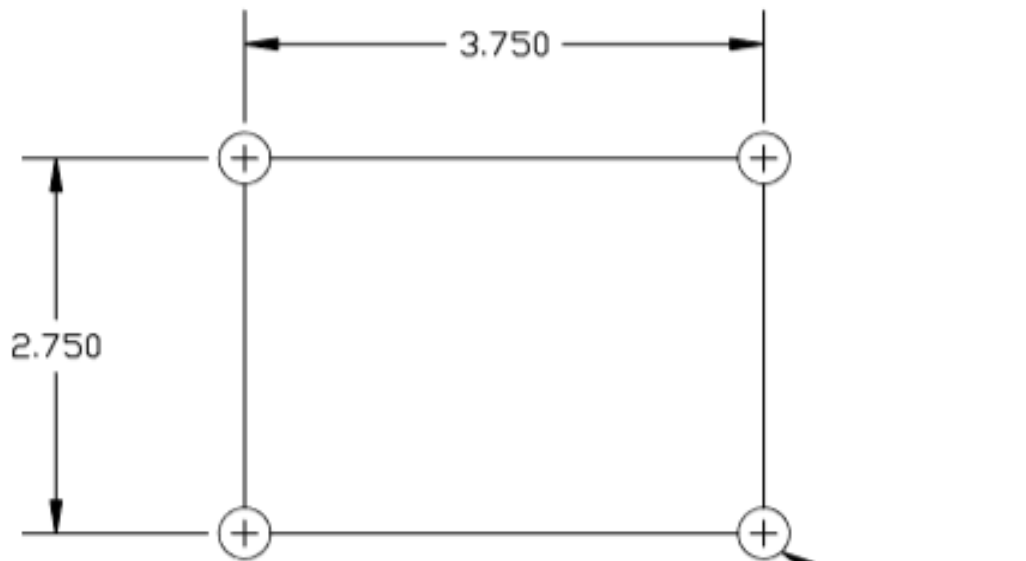


1. Place Wall Mounting Bracket over splice box (or conduit stub out) and secure to wall with 3/8" studs or bolts (by Others). See mounting hole pattern for bolt location.
2. Attach conduit (by others) to wall mounting bracket.
3. Pull Supply and Ground Wires so that they extend approximately 10" from Conduit.
4. Loosen (3X) #6-32 Philips screws and remove Arm Cover.
5. Apply bead of suitable weatherproof sealant along horizontal top, vertical left and right edges of the Wall Canopy where it contacts the wall to prevent water entry.
6. Feed Supply and Ground Wires through back of Wall Canopy into Luminaire.

INSTALLATION INSTRUCTIONS	LUMINAIRE	PN:443561200670	Rev:C
SLENDERFORM ROUND ARM WALL CANOPY		Page 3 of 3	
(WITH SURFACE CONDUIT)			

7. Engage Hanger Bracket to the top angled flap of the Wall Mounting Bracket and allow Wall Canopy to rest against the wall. Tighten (2X) 1/4" Socket Set Screw using 1/8" allen wrench.
8. Make electrical connections and place splices and excess wire in wall canopy.
9. Install photocontrol if used.
10. Reinstall Arm cover and secure with (3X) #6-32 Screws.

**NOTE:** WALL MOUNTING BRACKET IS SECURED TO WALL WITH 3/8" STUDS OR BOLTS (BY OTHERS). STRUCTURAL MEMBERS MUST BE PRESENT IN WALL TO ACCEPT BOLTS.



3/8" STUDS OR BOLTS LOCATION. STUDS TO EXTEND NO MORE THAN 3/4" FROM WALL SURFACE.

## MOUNTING HOLE PATTERN