



Designed to combine elegance with state-of-the-art photometrics, the luminaires in this series have been developed to harmonize beautifully with park and urban settings. The model's traditional good looks enhance the allure of any project, even during the day. When a luminaire should do more than light up the night, call on Lumec.

Project: _____
 Location: _____
 Cat.No: _____
 Type: _____
 Lamps: _____ Qty: _____
 Notes: _____

Ordering guide sample

Luminaire	Lamp	Optical System	Voltage	Adaptor & Configuration	Pole*	Finish**	Options
LP20-CRG	150 HPS	SE3	120	SF1	APR4-12	BKTX	FS

* Consult the eCatalog for details and the complete line of poles.

The specially formulated Lumital powder coat finish is available in a range of many standard colors.

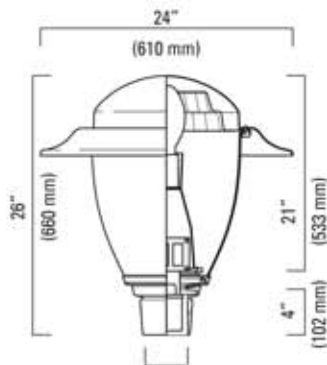
** Consult Lumec's Color Chart for complete specifications.

Luminaires

The LP20 luminaire is UL and CSA approved.

LP20

LP20-CRG



LP20 on an SF1 adaptor with SE optics

Weight: 28 lbs (12.7 kg)

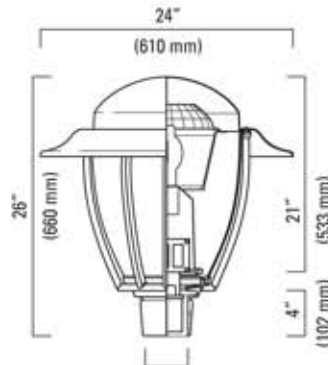
EPA: 1.1 sq. ft.

Luminous Center from the adaptor's base:

SE: 22" (559 mm)

RACE: 19" (483 mm)

RR: 14" (356 mm)



LP20 on an SF1 adaptor with RACE optics and CRG guard.

Weight: 29 lbs (13.1 kg)

EPA: 1.20 sq. ft.

Luminous Center from the adaptor's base:

SE: 22" (559 mm)

RACE: 19" (483 mm)

RR: 14" (356 mm)

LP20 LP Series

Post Top

Lamp

Wattage	RR/RACE/SE	Other
70 MH, medium	■	■
100 MH, medium	■	■
150 MH, medium	■	■
175 MH, mogul	■	■
250 MH, mogul ¹	■	N/A
35 HPS, medium	■	■
70 HPS, mogul	■	■
100 HPS, mogul	■	■
150 HPS, mogul	■	■
250 HPS, mogul ¹	■	N/A

■ Available. N/A : Not available.

¹ Remote ballast in mounting or pole base.

The LP20 series accommodates H.I.D. or incandescent lamps up to 250W.

The UL or CSA -recognized CWA-type ballast features a -30° F (-34° C) lamp-starting capacity, a power factor of 90% or better and a regulation of lamp power within ± 10% of rated input voltage. HPS ballasts operate within ANSI trapezoidal limits.

The ballast is semi-integrated into the luminaire's globe and adaptor, or is remote in the mounting or pole base.

Finishes

16 Standard Colors Available

The specially-formulated textured (TX) Lumital powder coat is available in a range of 16 standard colors. This unique coating of thermosetting polyester resins provides a highly-durable UV-resistant exterior finish as per ASTM G7.

Lumital coatings are specially formulated for outstanding salt-spray resistance according to ASTM B117 standards.

All surfaces are chemically treated using a four-step (aluminum) or six-step (steel) process prior to painting. Consult Lumec for complete specifications.

SC: Special Color

Provide a 4" (102 mm) square color chip.

It is possible to order smaller minimal quantities of powder paint at a premium. Your representative will be able to tell you if a powder coating can be developed for your project.

Lumiseal, a biofriendly reactive organic conversion coating, is applied on all aluminum parts that are subject to salt-spray corrosion. Consult Lumec for complete specifications.

Please note that where quantities do not warrant it, Lumec reserves the right to use an oven-cured liquid polyurethane finish.

Optical System / HID

(Lamps not included)



RR Optics
Round borosilicate refractor

- RR5** Symmetrical (V)
- RR3** Asymmetrical (III)
- RR3MD** Asymmetrical (III) with medium deflector



SE Optics
Segmented cut-off reflector system set in faceted arc-image duplicating patterns

- SE5** Symmetrical (V)
- SE3** Asymmetrical (III)



RACE Optics
Round acrylic (100W max) or borosilicate (150 to 250W) refractor with segmented upright recovery dome

- RACE5** Symmetrical (V)
- RACE3** Asymmetrical (III)
- RACE3D** Asymmetrical (III) with deflector

Other optical systems available

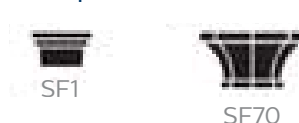
- LN** Nickel-plated louvers
- LB** Bronze-plated louvers
- LMP** Lamp without optical system

Options

Consult the eCatalog for details and the complete list of available options.

- FS** Fusing (Consult factory)
- CRG** Guard

Adaptors



Configurations

Consult the eCatalog for details and the complete line of mountings and poles.

