

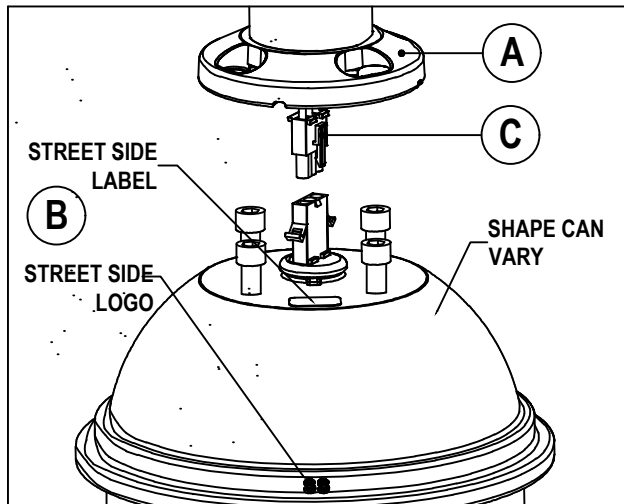
Suspended Luminaire installation

Typical installation instructions

www.philips.com/lighting

New Suspension System

- Meets all requirements for ANSI C136.31/1
- Offers a hanging system that supports the luminaire while its being secured in place
- Provides an easier installation method with 90° luminaire rotation
- Has captive hardware

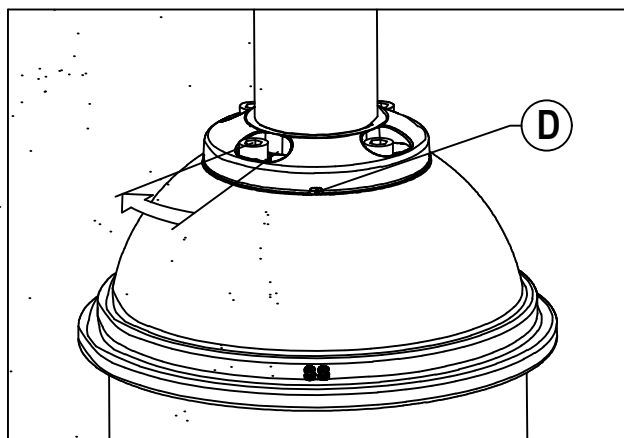


Step 1

A- Lift the luminaire under the cast-suspension ring.

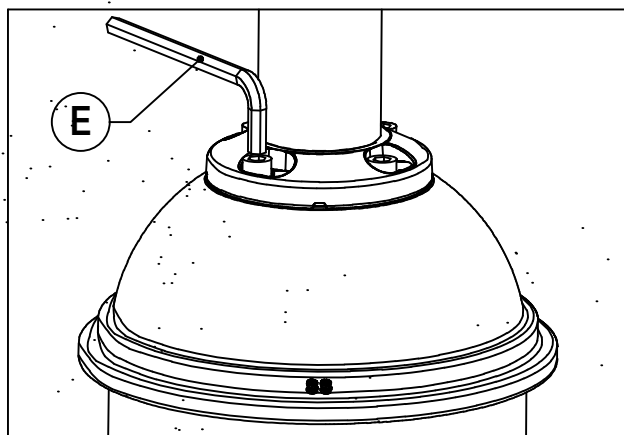
B- Align with street side on luminaire

C- Connect the quick-disconnect terminals and push the connection in the mounting opening.



Step 2

D- Turn the luminaire clockwise to engage the head of the screws in the keyhole slots.



Step 3

E- Tighten all four screws to firmly secure the luminaire in place.

Torque: 240 lbs.in, 20 lbs.ft

(3/8" Bolts) #132392, 5013086101

DESIGNER: FT DATE: 06-18-14 TITRE/TITLE: SUSPENDED LUMINAIRE INSTALLATION

VERIF./INSPEC: DATE: FEUILLE/SHEET: 1 DE 1 NO. DESSIN/DRIVING #: 50 13 086 101

REV.: 1

LUMEC
www.lumec.com