

Day-Brite

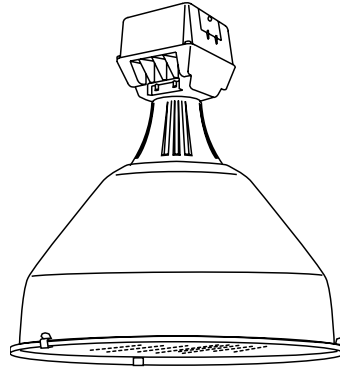
CFI

by  Signify

Industrial

HBE high bay

Aluminum reflector
1000W MH, 1000W HPS,
750-1000W PSMH



Project: _____
Location: _____
Cat.No: _____
Type: _____
Lamps: _____ Qty: _____
Notes: _____

The Day-Brite / CFI HBE high bay features an enclosed, spun aluminum reflector with a clear tempered glass lens for use in applications requiring dust tight or wet location (optional) construction.

Ordering guide

Example: **HBE10XMMT A24 24BE**

Ballast Assembly	Wattage	Lamp Source	Voltage	Options	Optical	Options	Lens Assembly
HBE			—		A24	—	24BE
HBE	750 750 ³⁰ 875 875 ^{29,30} 10X 1000	M Metal Halide S High Pressure Sodium P Pulse Start Metal Halide (PSC Ballast option must also be specified)	12 120 20 208 24 240 27 277 34 347 48 480 MT 120/208 240/277 TT 120/277 347 DH 347/480 ⁸² 5T 120/208/240/ 277/480 ⁹⁹	CUL UL Listing to meet CSA standards PSC Pulse Start CWA Ballast Q Quartz Standby QEM Quartz Emergency ⁴⁰ QTD Quartz Time Delay WDF Wired Double Fuse ⁴⁵ WSF Wired Single Fuse ⁴⁶ 65 65°C Ambient NFZ Non Food Zone WL Wet Location	A24 Open 24" Aluminum Reflector	WT Reflector finished inside and out with white polyester powder coating	24BE Bottom Enclosure for A24

Accessories (order separately)

CH Cover Half for Power Hook (use with PB)
PB Power Box for Power Hook (use with CH)
HP12-3 3' Hook-Cord-Plug Assembly 120V
HP25-3 3' Hook-Cord-Plug Assembly 208-240V
HP27-3 3' Hook-Cord-Plug Assembly 277V
HP48-3 3' Hook-Cord-Plug Assembly 480V
HMR Suspension Hook Male
SCB3 Ballast Retainer Chain 3'
WGN24 Wire Guard
(Refer to Section 18000 for additional accessories.)

Footnotes

²⁹BT37 or ED37 lamps required.
³⁰Pulse Start Metal Halide Only.
⁴⁰Requires 120 volt secondary power supply.
⁴⁵Use with 208, 240, and 480 volt.
⁴⁶Use with 120, 277, and 347 volt.
⁴⁷Consult factory for availability of 750 & 1000 Watt.
⁸²1000 Watt Pulse Start CWA Metal Halide Ballast Only.
⁹⁹Consult factory for availability.

General Notes

- All accessories are field installed.
- Mogul base lamp only.
- All options factory installed.
- Ballast assembly and optical assembly to be ordered and shipped separately.

WARNING: Refer to and follow the lamp manufacturer's warnings and instructions.



Standard Metal Halide
Between 175W and 400W
Not available in USA



HBE High bay

Aluminum reflector, 1000W MH, 1000W HPS, 750-1000W PSMH

Application

- HBE high bay features enclosed, spun aluminum reflector with a clear tempered glass lens for use in applications requiring dust tight or wet location (optional) construction.

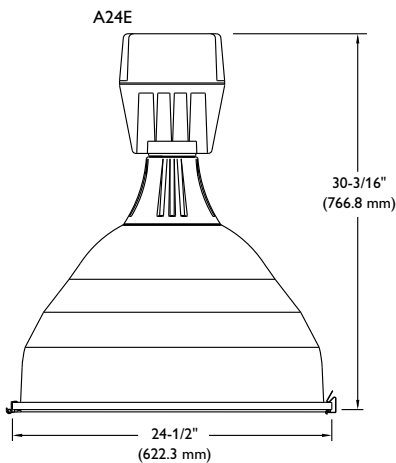
Construction/Finish

- UL 1598 Listed suitable for damp location and 55°C ambient for all lamp wattages listed.
- 3/4" threaded cast aluminum nut and hub for easy, positive mounting.

- Large wiring access with captive retainer screw.
- Heavy wall, two piece die cast aluminum housing with white polyester powder finish.
- Day-Brite "Slant 2" ballast mounting for cooler operation. Ballast has high temperature class H insulation and a minimum starting temperature of -40°C (-40°F) for HPS and Pulse Start MH or -30°C (-20°F) for MH.
- Die cast aluminum neck provides positive mounting of reflector to ballast assembly and field adjustable light distribution patterns.

- Precision spun heavy gauge aluminum reflector with clear anodized finish.
- Hinged door with tempered glass lens.

Dimensions



Energy Data

HIGH PRESSURE SODIUM

CWA BALLAST INPUT WATTS
1000 watt-1100 watts

METAL HALIDE

CWA BALLAST INPUT WATTS
750 watt-810 watts
875 watt-940 watts
1000 watt-1080 watts

HBE High bay

Aluminum reflector, 1000W MH, 1000W HPS, 750-1000W PSMH

Photometry

HBE high bay 1000W MH

Efficiency – 72.0%

LER – 73

Catalog No. HBE10XMMT-A24-24BE (Position 4)		Candlepower		Light Distribution				Average Brightness			
Test No.	18720	Angle	Avg. Candela	Degrees	Lumens	% Lamp	% Luminaire	Zone	End	45	Cross
Medium Spread S/MH	1.6	0	22904	0-30	24345	22.1	30.8	45	79591	79674	82525
Lamp Type	1000W MH	5	21831	0-40	41914	38.1	53.0	55	75539	74502	77097
Lumens/Lamp	110,000	10	22849	0-60	72222	65.7	91.2	65	30939	30360	31302
Ballast Factor	1.0	15	26559	0-90	79157	72.0	100.0	75	14598	14296	16074
Input Watts	1080	20	30112	90-180	0	0.0	0.0	85	31	31	463
		25	31643	0-180	79157	72.0	100.0				
		30	31252								
		35	28465								
		40	24579								
		45	21178								
		50	19562								
		55	16138								
		60	9589								
		65	4848								
		70	2906								
		75	1442								
		80	494								
		85	6								

Coefficients of Utilization														
EFFECTIVE FLOOR CAVITY REFLECTANCE 20 PER (pfc=0.20)														
Cell	80				70				50		30		10	
Wall	70	50	30	10	70	50	30	10	50	30	10	50	30	10
RCR														
0	86	86	86	86	84	84	84	84	80	80	80	77	77	77
1	80	77	74	72	78	75	73	71	72	70	69	69	68	67
2	73	68	64	60	72	67	63	60	64	61	58	62	59	57
3	67	61	55	51	66	59	55	51	57	53	50	55	52	49
4	62	54	48	44	60	53	48	44	51	47	43	50	46	42
5	57	48	42	38	56	48	42	38	46	41	37	45	40	37
6	53	44	38	33	51	43	37	33	42	37	33	40	36	32
7	49	40	33	29	48	39	33	29	38	33	29	37	32	29
8	45	36	30	26	44	35	30	26	35	29	26	34	29	26
9	42	33	27	23	41	32	27	23	32	27	23	31	26	23
10	40	30	25	21	39	30	25	21	29	24	21	29	24	21

Comparative yearly lighting energy cost per 1000 lumens – **\$3.29** based on 3000 hrs. and \$.08 pwr KWH.

The photometric results were obtained in the Day-Brite laboratory which is NVLAP accredited by the National Institute of Standards and Technology.



Some luminaires use fluorescent or high intensity discharge (HID) lamps that contain small amounts of mercury. Such lamps are labeled, "Contain Mercury" and/or the symbol "HG". Lamps that contain mercury must be disposed of in accordance with local requirements. Information regarding lamp recycling and disposal can be found at www.lamprecycle.org

