

941L



942L



943L



The Gardco LED step and aisle lights 941L, 942L & 943L are architecturally styled luminaires precisely constructed of die cast aluminum, providing light with high performance, long life LED systems. Retrofit kits are also available, making it possible to update installations of classic 941, 942 and 943 Gardco fluorescent and HID step lights to LED without the need to replace the back housing. A field adjustable junction box enhances design flexibility. Self-compensating silicone gasketing completely excludes moisture, insects and contaminants. A choice of three (3) architecturally designed faceplates allows for a variety of applications. The ribbed guard faceplate offers vandal protection for glass lenses.

Project: _____

Location: _____

Cat.No: _____

Type: _____

Lamps: _____ Qty: _____

Notes: _____

Complete luminaire consists of a luminaire & back-box (each must be purchased separately)

Ordering guide

example: 941L-21L-CW-D-LV-120-F-BZ

Prefix	Wattage	Color Temp Generation	Wall Type	Faceplates	Voltage	Options	Finish
Complete Luminaires	21L 21W, intergral lens array (350mA)	CW Cool White 5000K, 70CRI	D Drywall ¹	LV Louver	120 120V ⁴	F Fusing (provide specific input voltage)	BZ Textured bronze
941L Horizontal ¹			Not suitable for concrete pour applications. Also, if insulating material is present, it must be kept at least 3" away from luminaire. Type D units are thermally protected. Non-IC luminaire.	DG1 Diffuse Glass	277 277V ⁴	TP Tamper Resistant Screws	WH Textured white
942L Horizontal	31L 31W, integral lens array (530mA)	NW Neutral White 4000K, 70CRI		C Concrete Pour ¹	RGD Ribbed Guard with Diffuse Glass ¹		UNV 120-277V ⁵ 50hz/60hz
943L Vertical		WW Warm white 3000K, 70CRI	Suitable for concrete pour applications only.				DGY Dark grey
Retrofit Kits¹							OC Optional color (specify the RAL designation) ex: OC-RAL7024
RK-941L Horizontal ^{1,2}							SC Special color paint (must supply color chip to specify)
RK-942L Horizontal ²							
RK-943L Vertical							

1. 941L and RK-941L are not available with the RGD faceplate.
2. Retrofit kits are available in Wall Type "C" only (Concrete Pour.) Retrofit kits are not available for existing Wall Type "D" (Drywall) luminaires.
3. 941L is not available in 40LA (700mA) LED wattage. Lumen values shown are based on Bronze painted faceplates. Values will vary based on the faceplate color.
4. Wall Type D luminaires only.
5. UNIV means 120V through 277V input.
6. Back box (order separately, field installed)

Gardco reserves the right to refuse a configuration. Not all combinations and configurations are valid. Refer to notes below for exclusions and limitations. For questions or concerns, please consult the factory.

Back box (order separately, field installed)

941L D HSG/HWK ASSY	Back box for 941L drywall application
941L C HSG/HWK ASSY	Back box for 941L concrete application
942L D HSG/HWK ASSY	Back box for 942L drywall application
942L C HSG/HWK ASSY	Back box for 942L concrete application
943L D HSG/HWK ASSY	Back box for 943L drywall application
943L C HSG/HWK ASSY	Back box for 943L concrete application

941L, 942L & 943L 94 Line series

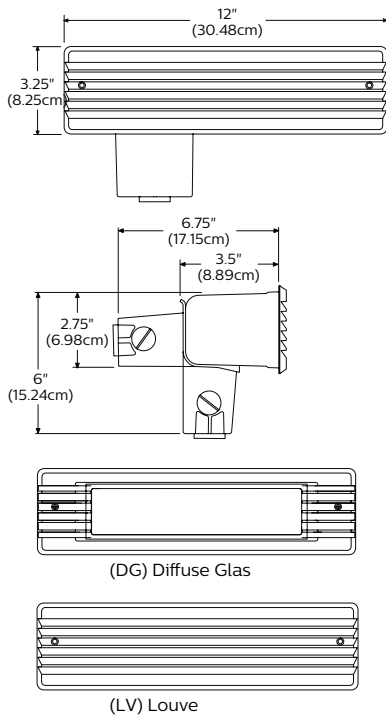
Landscape

LED Wattage and Lumen Values

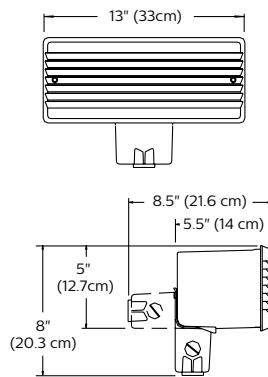
	Neutral White								Cool White								Warm White							
	942-LV	942-DG	942-RGD	943-LV	943-DG	943-RGD	941-LV	941-DG	942-LV	942-DG	942-RGD	943-LV	943-DG	943-RGD	941-LV	941-DG	942-LV	942-DG	942-RGD	943-LV	943-DG	943-RGD	941-LV	941-DG
Lumens																								
36-530-BZ	178	1037	344	315	1037	344	157	794	182	1061	352	322	1061	352	161	813	174	1011	335	307	1011	335	153	774
36-530-WH	323	1202	622	693	1202	398	455	920	331	1230	637	709	1230	408	466	942	315	1172	606	676	1172	388	443	897
36-350-BZ	122	711	236	216	711	236	108	544	125	727	241	221	727	241	110	557	119	693	230	210	693	230	105	531
36-350-WH	222	824	426	475	824	273	312	631	227	843	436	486	843	279	319	646	216	803	416	463	803	266	304	615
Wattage																								
36-530-BZ	32	32	32	32	32	32	32	32	32	32	32	32	32	32	32	32	32	32	32	32	32	32	32	32
36-530-WH	32	32	32	32	32	32	32	32	32	32	32	32	32	32	32	32	32	32	32	32	32	32	32	32
36-350-BZ	21	21	21	21	21	21	21	21	21	21	21	21	21	21	21	21	21	21	21	21	21	21	21	21
36-350-WH	21	21	21	21	21	21	21	21	21	21	21	21	21	21	21	21	21	21	21	21	21	21	21	21

1. Wattage may vary by +/- 8% due to LED manufacturer forward volt specification and ambient temperature. Wattage shown is average for 120V through 277V input. Actual wattage may vary by an additional +/- 10% due to actual input voltage.
2. Values shown are for luminaires without the DL options. Contact outdoorlighting.applications@signify.com if any approximate estimates are required for design purposes.
3. Lumen values based on tests performed in compliance with IESNA LM-79.

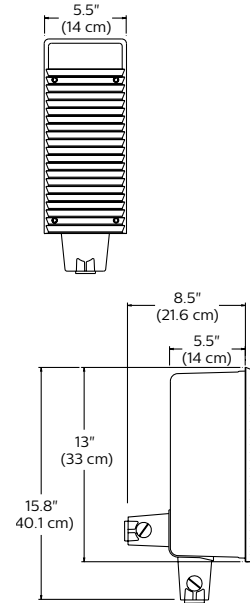
941L Dimensions



942L Dimensions



943L Dimensions



941L, 942L & 943L 94 Line series

Landscape

Specifications

General

The Gardco 941L, 942L and 943L recessed aisle lights are architecturally styled luminaires precisely constructed of die cast aluminum, providing light with high performance, long life LED systems. A field adjustable junction box enhances design flexibility. Self-compensating silicone gasketing completely excludes moisture, insects and contaminants. A choice of three (3) architecturally designed faceplates allows for a variety of applications. The ribbed guard faceplate offers vandal protection for glass lenses.

Housing

Corrosion-resistant die cast aluminum.

Retrofit kits

Retrofit kits are also available, making it possible to update installations of classic 941, 942 and 943 Gardco fluorescent and HID step lights to LED without the need to replace the back housing. Retrofit kits are available in Wall Type "C" only (Concrete Pour.) Retrofit kits are not available for existing Wall Type "D" (Drywall) luminaires.

Faceplate

All faceplates are constructed of one piece die cast aluminum and are secured to the housing with two (2) recessed and captive hex head socket screws. Integral spring clips ensure positive grounding. Self-compensating single-piece silicone gasketing completely seals the luminaire and allows for varying wall thicknesses.

Louvers

Die cast span the entire length of the faceplate, providing for vandal resistance and glare control. Louver faceplate include diffuse glass behind the louvers to minimize apparent glare from the luminaire.

Diffuse Glass

The faceplate includes a 3/16" thick diffuse white opal flat tempered glass lens. The lens is internally sealed and mounted and provides a soft, uniform glow.

Ribbed Guard

The 90° die cast louvers span the entire length of the faceplate over a diffuse glass lens. Not available in the 941L and RK-941L.

J-Box

The field convertible junction box is die cast aluminum. It is shipped factory-mounted to the back of housing. The box can be easily positioned on the bottom of the luminaire via two (2) phillips head screws. Each J-box includes three (3) threaded openings (one on each side and one on the bottom) that accommodate 3/4" conduit.

Thermal Management

Gardco 94 Line LED step and aisle lights include integral thermal control to provide the excellent thermal management so critical to long LED system life.

Electrical

Driver efficiency (>90% standard) 50/60Hz available in 120-277V or 347-480V, open/short circuit protection. RoHS compliant. Surge protector standard, 10KA per ANSI/IEEE C62.41.2.

Finish

Each standard color luminaire receives a fade and abrasion resistant, electrostatically applied, thermally cured, triglycidic isocyanurate (TGIC) textured polyester powdercoat finish. Standard colors include bronze (BRP), black (BLP), white (WP), and natural aluminum (NP). Consult factory for specs on optional or custom colors.

Labels

All luminaires bear UL or CUL (where applicable) Wet Location labels.

Limited Warranty

5-year limited warranty. See signify.com/warranties for details and restrictions. Visit our eCatalog or contact your local sales representative for more information.

Predicted Lumen Depreciation Data

Ambient Temperature °C	System Current	LED Current	Calculated L ₇₀ hrs ^{1,2}	L ₇₀ per TM21 ^{2,3}	Lumen Maintenance @ 60,000hrs
25 °C	530 mA	132.5 mA	>100,000	>60,000	84%

1. Predicted performance derived from LED manufacturer's data and engineering design estimates, based on IESNA LM-80 methodology. Actual experience may vary due to field application conditions.
2. L70 is the predicted time when LED performance depreciates to 70% of initial lumen output.
3. Calculated per IESNA TM 21-11. Published L70 hours limited to 6 times actual LED test hours.

Buy American Act of 1933 (BAA):

This product is manufactured in one of our US factories and, as of the date of this document, this product was considered a commercially available off-the-shelf (COTS) item meeting the requirements of the BAA. This BAA designation hereunder does not address (i) the applicability of, or availability of a waiver under, the Trade Agreements Act, or (ii) the "Buy America" domestic content requirements imposed on states, localities, and other non-federal entities as a condition of receiving funds administered by the Department of Transportation or other federal agencies. Prior to ordering, please visit www.signify.com/baa to view a current list of BAA-compliant products to confirm this product's current compliance.

