

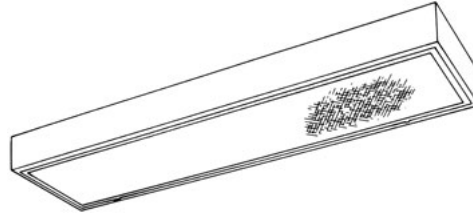
Day-Brite CFI

by  Signify

Surface

Surface Modular 1x4

T5, T5HO, or T8



Project: _____
 Location: _____
 Cat.No: _____
 Type: _____
 Lamps: _____ Qty: _____
 Notes: _____

The Day-Brite / CFI Surface Modular luminaire is a shallow body, surface mounted premium grade luminaire with a variety of door frames and lens options available.

Ordering guide

Example: 1SMR132-FA01-UNV-1/1-EBHHE

Width	Family	No. of Lamps (not included)	Lamp Type	Door Frame	Lens	Voltage	Options
1	SMR		—		—	—	
1' 1"	SMR Surface Modular	1 2 3 (except 54HO)	28 28WT5 (46") 32 32WT8 (48") 54HO 54WT5HO (46")	FA Flat Aluminum RA Regressed Aluminum TFA Tamper Resistant Flat Aluminum	01 Pattern 12 prismatic acrylic 12 K-12, .125" nominal 19 K-19, .156" nominal 21 Pattern 12, .125" nominal 30 1/2"x1/2"x1/2" silver polystyrene louver 34 1-1/2"x1-1/2"x1" silver polystyrene louver 52 3/4"x3/4"x1/2" silver polystyrene louver 56 .187" nominal DR high impact acrylic (recommended w/ TFA door)	120 277 347 UNV Universal Voltage 120-277V	1/1 One 1-lamp ballast 1/2 One 2-lamp ballast 1/3 One 3-lamp ballast 1/21 2-lamp & 1-lamp ballasts EB Electronic ballast, <10% THD, std. ballast factor EB10R T8 electronic ballast, program rapid start, <10% THD EBHE T8 electronic ballast, high efficiency, std. ballast factor EBLHE T8 electronic ballast, high efficiency, low ballast factor EBHHE T8 electronic ballast, high efficiency, high ballast factor EBSD T8 electronic step dimming ballast, .88 ballast factor EBD7 Advance Mark 7 dimming ballast, 0-10V (low voltage) control EBDX Advance Mark 10 dimming ballast, phase control EBD Electronic dimming ballast, customer specified E1 B100 emerg. ballast, T8, 350-450 lumens, 120/277V E1CAN B100-CAN emerg. ballast, Canada market, T8, 350-450 lumens, 120/347V E7 B60 emerg. ballast, T8, 600-700 lumens, 120/277V E5 B50 emerg. ballast, U.S. or Canada market, T8, 1100-1400 lumens, UNV E5CAN B50-CAN emerg. ballast, Canada market, T8, 1100-1400 lumens, 120/347V E5ST B50ST emerg. ballast w/self test, T8, 1100-1400 lumens, UNV E7LP LP550 emerg. ballast T5/T5HO, 430-700 lumens, 120/277V E6LP LP600 emerg. ballast U.S. or Canada market, T5/T5HO, 750-1325 lumens, 120/277V GLR Fusing, fast blow 1W 1-way gasketing, between lens & door frame (not avail. w/RA door) 2W 2-way gasketing, 1W + gasketing between door frame & housing

Accessories (order separately)

- **TPDTH** Tamper proof driver, Torx T-15 head pin drive and handle (required with TR option)
- **CS-400** Rigid canopy
- **CS-500** 42" top swivel canopy
- **CS-12** 12" Stem
- **CS-18** 18" Stem
- **CS-24** 24" Stem
- **CS-30** 30" Stem
- **CS-36** 36" Stem
- **CS-48** 48" Stem



1SMR Surface Modular luminaire 1x4

T5, T5HO, or T8

Construction/Finish

- For surface or pendant mounting. 2 lamp models require 2 stems for pendant mounting, 1 and 3 lamp models require 4 stems.
- 4" deep metal sided unit allows a wide choice of lens and shallow metal or plastic louvers.
- Housing is multi-stage phosphate treated for maximum corrosion resistance and painted after fabrication with white polyester powder coating.
- K.O.'s provided in ends allow individual or continuous row mounting.

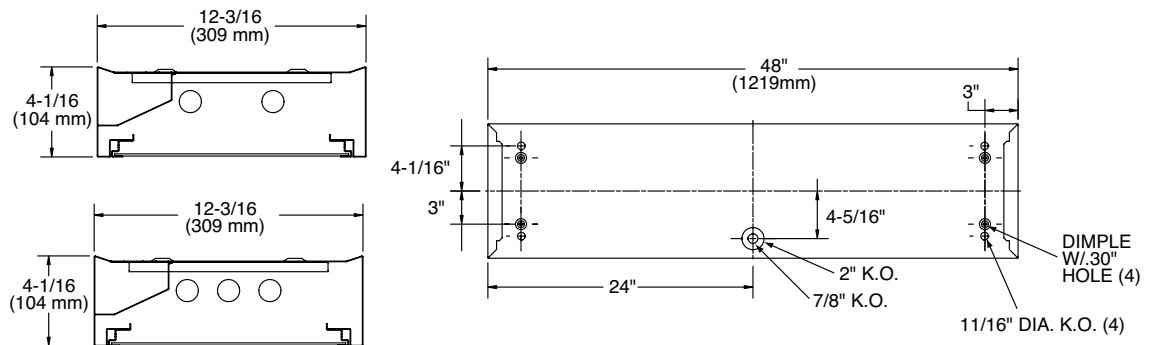
Electrical

- cULus listed for direct mounting on low density ceilings and damp locations.
- Self-contained fluorescent emergency power packs can be incorporated.

Enclosure

- Mitered corner door frames painted after fabrication with a choice of Flat Aluminum, Regressed Aluminum, or Tamper Resistant Flat Aluminum.
- Door frames standard with guide post spring loaded latches.
- Prismatic acrylic pattern 12 lens standard (01). Other lenses or louvers optional.
- Can be hinged and latched from either side.
- TFA Door latches secured with 2 Torx head pin drive screws
- Special screwdriver required for TFA door, catalog #TPDTH sold separately
- #56 Lens withstands impact of 70 ft lbs. at 75°F. with the lens supported on all four edges.

Dimensions



Some luminaires use fluorescent or high intensity discharge (HID) lamps that contain small amounts of mercury. Such lamps are labeled, "Contain Mercury" and/or the symbol "HG". Lamps that contain mercury must be disposed of in accordance with local requirements. Information regarding lamp recycling and disposal can be found at www.lamprecycle.org

1SMR Surface Modular luminaire 1x4

T5, T5HO, or T8

PHOTOMETRIC DATA

CATALOG # 1SMR232-FA01-1/2-EB LAMPS = F32T8 INPUT WATTS = 56
 TEST #25373 S/MH=1.3 BALLAST = ELECTRONIC BALLAST FACTOR = .88

LER = 63
 TER = 56

COMPARATIVE YEARLY LIGHTING ENERGY COST PER 1000 LUMENS = \$3.81 BASED ON 3000 HRS. AND \$.08 PER KWH.

FIXTURE EFFICIENCY= 70.2%

CANDLEPOWER				
Angle	End	45	Cross	
0	1688	1688	1688	
5	1688	1686	1679	
10	1667	1673	1675	
15	1630	1653	1666	
20	1581	1620	1647	
25	1511	1576	1613	
30	1426	1514	1549	
35	1297	1411	1418	
40	1144	1246	1221	
45	976	1000	1005	
50	791	773	761	
55	603	562	559	
60	444	371	422	
65	322	229	315	
70	235	156	234	
75	173	145	174	
80	114	124	111	
85	67	80	64	

MAINTAINED ILLUMINATION TABLE- Square Feet/Fixture*						
■ 80-50-20 Reflectances (Ceiling-Wall-Floor) ■ LLF = 0.75 2850 Lumens/Lamp very clean ■ Room width divided by room height = 5 or more, 2 or 1						
Fixture Size & # of Lamps	Room Width Room Height =	Approx. Area (sq. ft.) per Fixture				
		10 ft-c	30 ft-c	50 ft-c	70 ft-c	100 ft-c
1' X 4'	5	-	106	64	46	32
2-Lamp	2	-	75	45	32	-
T8	1	-	56	34	-	-

*Observe Fixture S/MH Requirements for Specific Applications

AVERAGE LUMINANCE CD/SQ.M WITH 2850 LUMEN LAMPS				
ANGLE	END	45°	CROSS	
45	4823	4941	4966	
55	3673	3423	3405	
65	2662	1893	2604	
75	2335	1957	2349	
85	2686	3207	2566	

TYPICAL V.C.P.'s				
Room Size	Mounting Height		Crosswise	
	Lengthwise	8.5	10	8.5
30x30	53	58	53	58
40x40	48	53	49	53
60x30	55	60	55	60
60x60	43	47	44	48
100x100	40	42	42	43

COEFFICIENT OF UTILIZATION									
pfc	20		70		50				
	80	30	70	50	30	50	30		
pcc									
pw									
RCR									
0	83	83	83	81	81	81	78	78	78
1	77	73	71	75	72	69	69	68	68
2	70	66	61	68	65	60	61	58	58
3	65	58	54	64	57	53	56	52	52
4	59	53	46	58	52	46	50	46	46
5	56	47	41	54	46	40	45	40	40
6	52	42	36	51	41	36	40	35	35
7	47	39	34	46	39	33	38	33	33
8	45	35	29	44	35	29	34	29	29
9	41	33	28	40	33	28	32	27	27
10	40	30	25	39	29	25	29	25	25

LIGHT DISTRIBUTION			
DEGREES	LUMENS	% LAMP	% FIXTURE
0-30	1350	23.7	33.7
0-40	2210	38.8	55.2
0-60	3495	61.3	87.3
0-90	4004	70.2	100.0

LLF = .75 LLF = LIGHT LOSS FACTOR LLF = LDD X LLD X BF LDD = VERY CLEAN 0.94 CLEAN 0.90
 LLD = 0.91 @ 40% RATED LAMP LIFE BF = 0.88 ELECTRONIC BALLAST & T8 LAMP (RELAMP AT 70% LAMP LIFE)

PHOTOMETRIC DATA

CATALOG # 1SMR332-FA01-1/3-EB LAMPS = F32T8 INPUT WATTS = 80
 TEST #25075 S/MH=1.3 BALLAST = ELECTRONIC BALLAST FACTOR = .88

LER = 63
 TER = 56

COMPARATIVE YEARLY LIGHTING ENERGY COST PER 1000 LUMENS = \$3.81 BASED ON 3000 HRS. AND \$.08 PER KWH.

FIXTURE EFFICIENCY= 66.8%

CANDLEPOWER				
Angle	End	45	Cross	
0	2515	2515	2515	
5	2510	2510	2504	
10	2478	2489	2490	
15	2427	2446	2462	
20	2345	2388	2416	
25	2238	2303	2339	
30	2099	2188	2216	
35	1911	2026	2007	
40	1662	1759	1708	
45	1397	1416	1374	
50	1111	1079	1030	
55	844	755	761	
60	617	501	573	
65	443	304	431	
70	319	217	321	
75	238	206	238	
80	155	174	151	
85	92	104	83	

MAINTAINED ILLUMINATION TABLE- Square Feet/Fixture*						
■ 80-50-20 Reflectances (Ceiling-Wall-Floor) ■ LLF = 0.75 2850 Lumens/Lamp very clean ■ Room width divided by room height = 5 or more, 2 or 1						
Fixture Size & # of Lamps	Room Width Room Height =	Approx. Area (sq. ft.) per Fixture				
		10 ft-c	30 ft-c	50 ft-c	70 ft-c	100 ft-c
1' X 4'	5	-	-	91	65	46
3-Lamp	2	-	108	65	46	33
T8	1	-	81	49	35	-

*Observe Fixture S/MH Requirements for Specific Applications

AVERAGE LUMINANCE CD/SQ.M WITH 2850 LUMEN LAMPS				
ANGLE	END	45°	CROSS	
45	6903	6997	6789	
55	5141	4599	4636	
65	3662	2513	3563	
75	3213	2781	3213	
85	3688	4169	3327	

TYPICAL V.C.P.'s				
Room Size	Mounting Height		Crosswise	
	Lengthwise	8.5	10	8.5
30x30	45	50	45	50
40x40	40	44	41	45
60x30	47	52	47	52
60x60	36	39	37	40
100x100	34	35	36	37

COEFFICIENT OF UTILIZATION									
pfc	20		70		50				
	80	30	70	50	30	50	30		
pcc									
pw									
RCR									
0	80	80	80	78	78	78	73	73	73
1	73	70	68	71	68	67	66	65	65
2	68	63	58	66	61	57	58	56	56
3	61	56	51	60	55	51	53	48	48
4	57	50	45	56	50	45	47	44	44
5	53	46	40	52	45	40	44	39	39
6	50	40	35	47	40	35	40	34	34
7	46	38	32	45	36	32	35	32	32
8	42	34	28	41	34	28	33	28	28
9	40	32	27	39	32	27	30	26	26
10	38	29	25	36	28	23	28	23	23

LIGHT DISTRIBUTION			
DEGREES	LUMENS	% LAMP	% FIXTURE
0-30	1988	23.2	34.8
0-40	3225	37.7	56.5
0-60	5015	58.7	87.8
0-90	5710	66.8	100.0

LLF = .75 LLF = LIGHT LOSS FACTOR LLF = LDD X LLD X BF LDD = VERY CLEAN 0.94 CLEAN 0.90
 LLD = 0.91 @ 40% RATED LAMP LIFE BF = 0.88 ELECTRONIC BALLAST & T8 LAMP (RELAMP AT 70% LAMP LIFE)

