

Project: _____

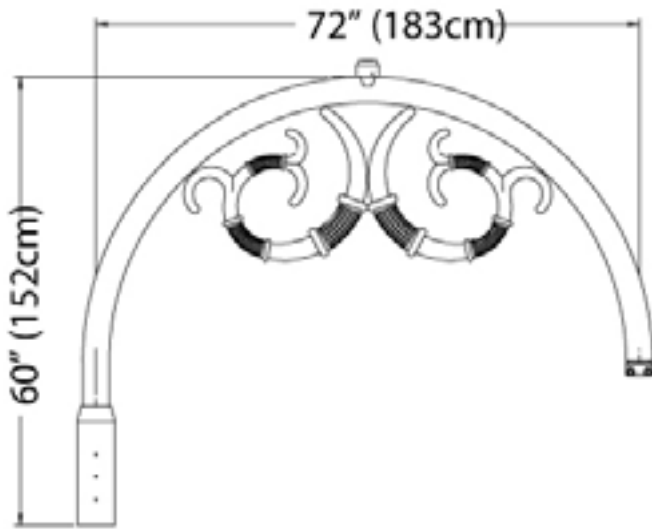
Location: _____

Cat.No: _____

Type: _____

Lamps: _____ Qty: _____

Notes: _____



Ordering Guide

Example: HFP1310 P4 A N

Product Code	HFP1310	Single
Post diameter	P4	4" Post Mount *1
Finish	A	Black
	B	White
	G	Verde
	H	Bronze
	J	Green
Arm Accessory	N	None
	R	Twistlock Receptacle

*1 Tenon to be 4.31" O.D. x 10" Tall.

Specifications

HOUSING:

6063-T6 Extruded aluminum .

FINISH:

Thermoset polyester powdercoat is electrostatically applied after a five-stage conversion cleaning process and bonded by heat fusion thermosetting. Laboratory tested for superior weatherability and fade resistance in accordance with ASTM B117 specifications. For larger projects where a custom color is required, contact the factory for more information.

WARRANTY:

Three-year limited warranty.

Height :

60" (152 cm)

Length:

72" (183 cm)

EPA:

5.80 sq. ft

