

Project: _____

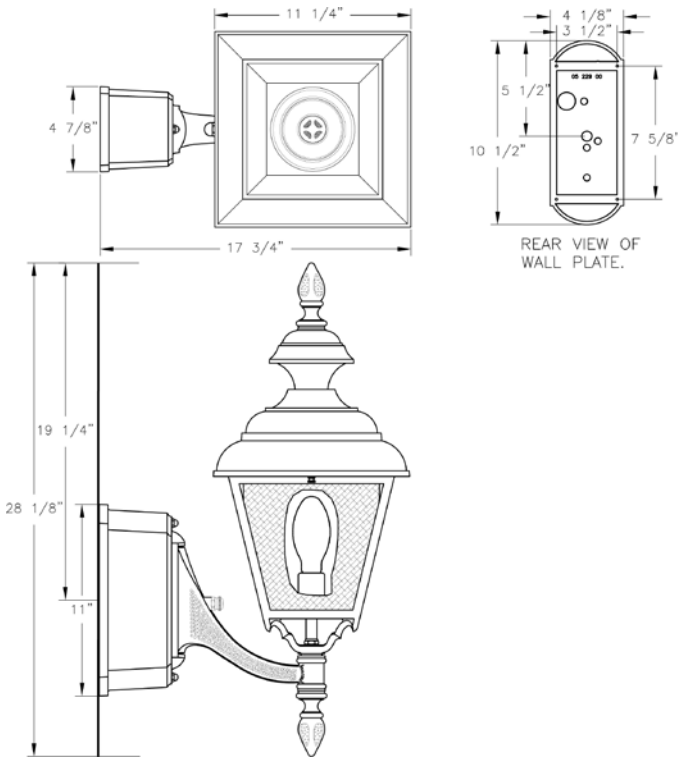
Location: _____

Cat.No: _____

Type: _____

Lamps: _____ Qty: _____

Notes: _____



Ordering Guide

Example: 9972 ABS A L 50H E N B

Product Code	9972	Plymouth
Finish	ABS ACP ARD ASI BLK BRN BRZ FGN GRA IRN RBZ SRT VBZ VCP VGN VTC WBZ WHT	Antique Brass Antique Copper Antique Red Antique Silver Black Brown Bronze Forest Green Granite Ironstone Rustic Bronze Shadow Rust Verde Bronze Verde Copper Verde Vintage Copper Weathered Bronze White
Panel/Globe	A B C D E M P Q	Clear Acrylic Opal Acrylic Clear Seeded Acrylic Bronze Tone Acrylic Clear Textured Acrylic Opal Polycarbonate Clear Polycarbonate Prismatic Polycarbonate
Socket	L D	LED Medium
Wattage/Source	50H 70H 100H 35S 50S 70S 100S 100I LED	50W MH 70W MH 100W MH 35W HPS 50W HPS 70W HPS 100W HPS 100W INC. LED
Voltage	E F G H	120V 208V 240V 277V
Distribution	N	None
Photoeye	B N	Button Eye None

*1 Button Eye (B) only available in 120V (E).

9972 Plymouth

Side arm mount

Specifications

CONSTRUCTION:

Cast aluminum finial, cap, and neck. Cast aluminum square roof. Cast aluminum square cage with frog bottom. Cast aluminum knob. Cast aluminum bracket arm and ballast housing with wall plate.

FINISH:

Resilient TGIC thermoset polyester powdercoat paint is electrostatically applied to every fixture. Specially formulated for Philips Outdoor Lighting, it provides UV protection, and the highest temperature rating in the industry. In addition to the standard color choices shown, a spectrum of custom colors is available.

PANELS/LENS/GLOBE:

See lenses for available options.

LAMPING:

Lamp is not included.

ELECTRICAL ASSEMBLY:

Lantern will be prewired and tested. All electrical components are ETL listed.

BALLAST:

Ballast mounted inside moisture proof housing. (Customer must specify wattage and voltage.)

MOUNTING:

See template for dimensions & mounting instructions.

WARRANTY:

Three-year limited warranty.

CERTIFICATIONS:

ETL Listed to U.S. safety standards for wet locations. cETL Listed to Canadian safety standards for wet locations.

Height:

28 1/8"

Width:

11 1/4"

Projection:

17 3/4"

Top to Outlet:

19 1/4"

Max. Weight:

25 lbs.

