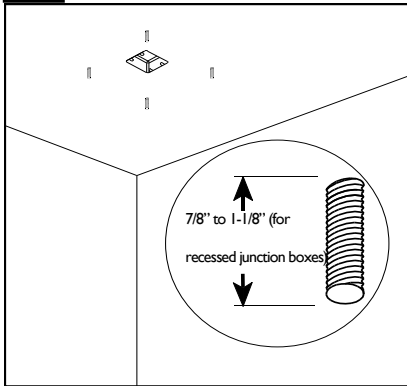
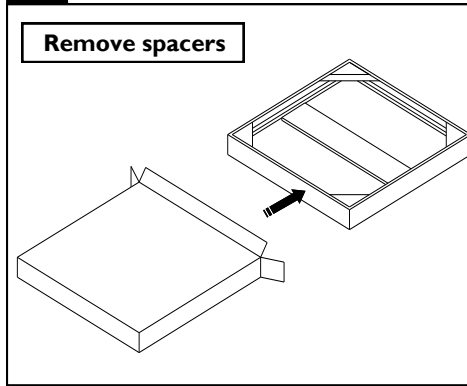
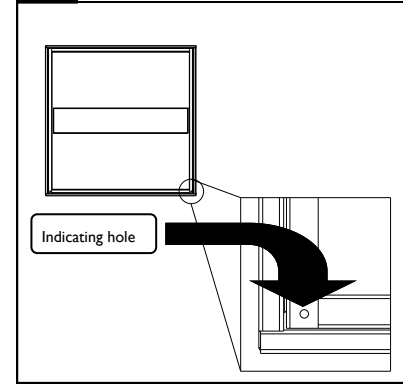


1 Recessed Junction box

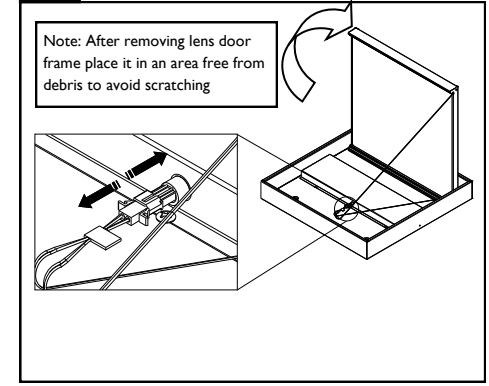
Use installation dimensions supplied on page 3, to mark up and drill holes in the correct locations. Install 1/4"-20 anchors (supplied by others) to ceiling making sure they protrude between 7/8" to 1-1/8" and that the wire access hole is over the junction box.

2 Remove fixture from box

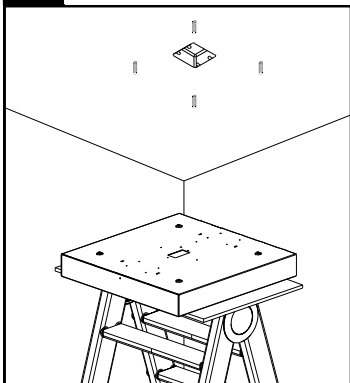
Arrange boxed fixtures on the floor in specified mounting locations. Remove fixtures and any hardware from boxes. Remove cardboard spacers.

3 Find indicating holes

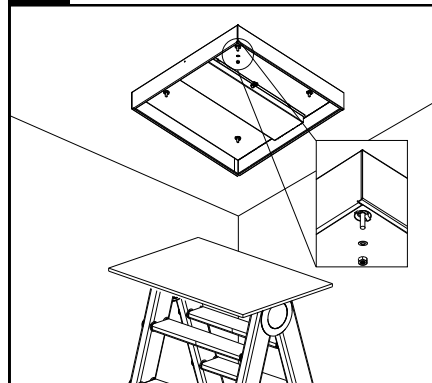
Locate indicating holes on lens door frame. These markers are opposite to the doors hinging mechanism.

4 Remove lens door frame

Pull the lens door frame upward on the indicating marker side. Disconnect wire harness and remove doorframe.

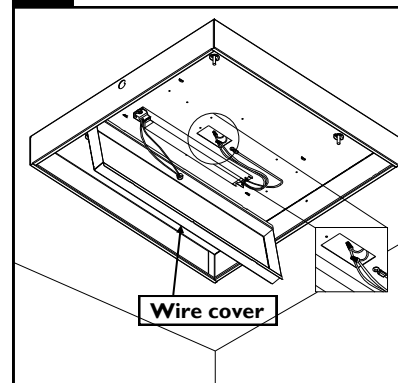
5 Install preparation

Place housing on ladder or platform under install location

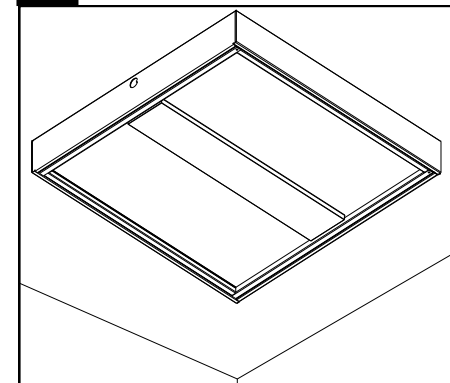
6 Install housing

Attach housing to anchors using 1/4"-20 hex nut and washer (supplied by others)

Note: It is Recommended to use two people

7 Electrical connections

Remove wire cover from housing. Make all necessary power connections and reinstall wire cover.

8 Install lens door frame

Connect and re-install lens door frame. Align door frame so that it sits flush with the bottom of the housing.

! ATTENTION: Install in accordance with national and local building and electrical codes.

Page 1

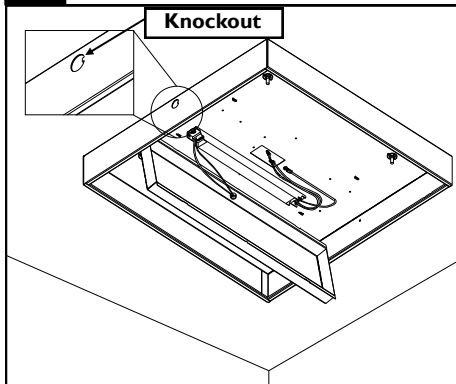
Surface conduit connection

1

Follow steps 1-6 on page 1.

7

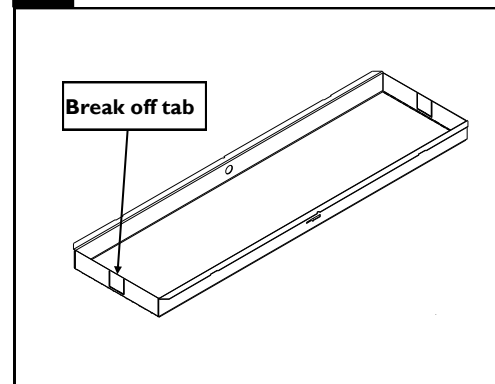
Remove wire cover



Remove wire cover. Push in knockout on the side of housing for conduit entry.

8

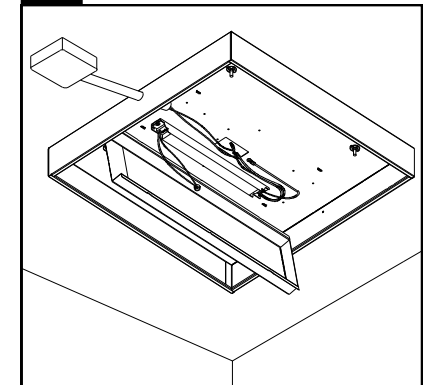
Adjust wire cover



On the conduit entry side of wire cover break off tab to allow conduit to enter driver channel

9

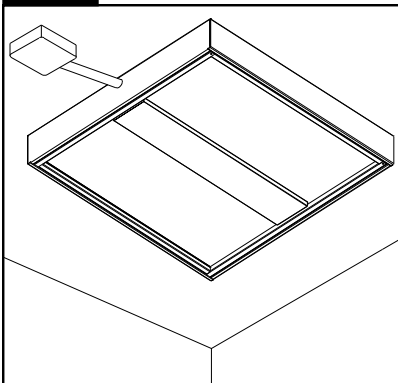
Power connection



Complete electrical connections and re-install wire cover

10

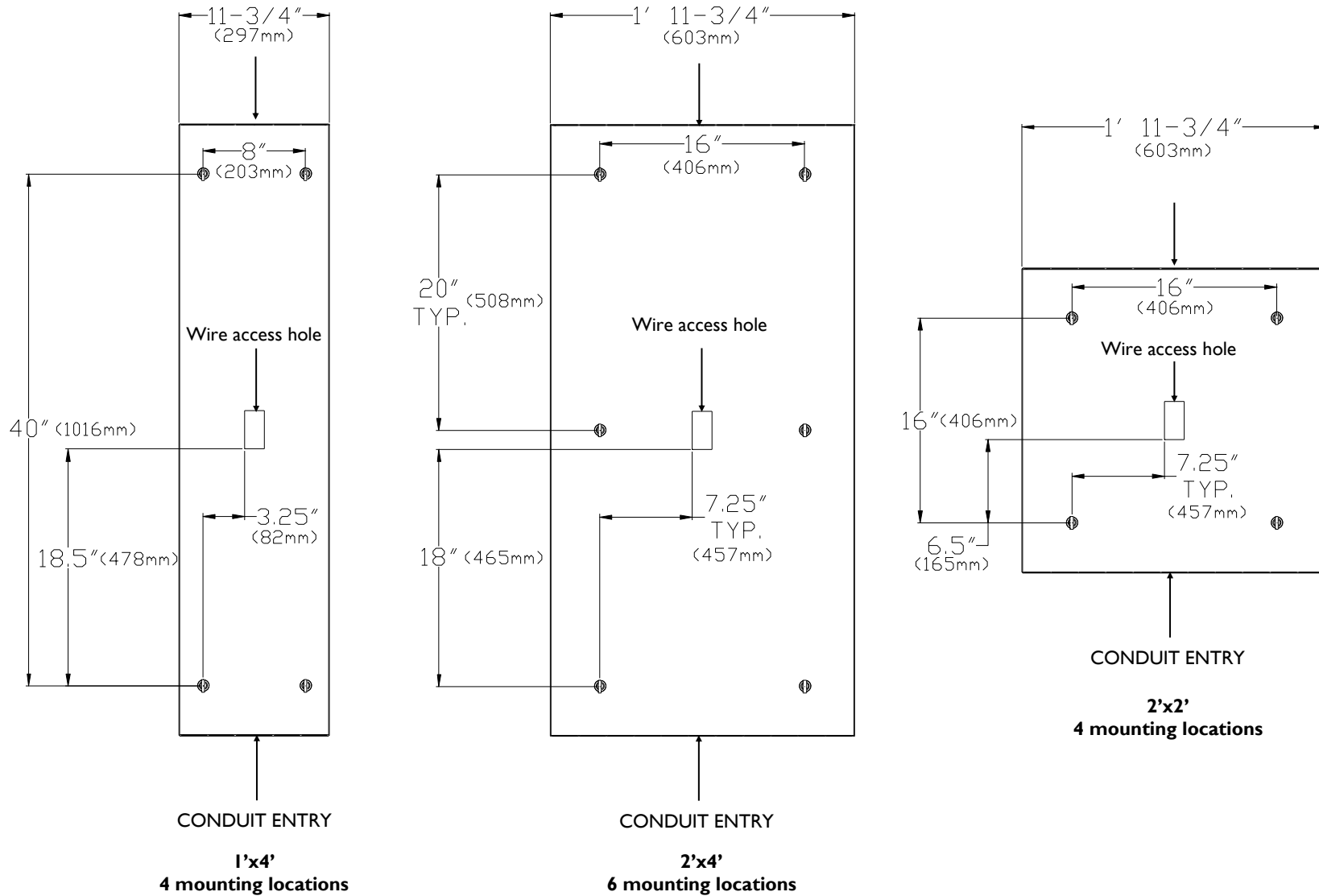
Install lens door frame



Connect and re-install lens door frame. Align door frame so that it sits flush with the bottom of the housing.

! **ATTENTION: Install in accordance with national and local building and electrical codes.**

Page 2



! ATTENTION: Install in accordance with national and local building and electrical codes.