

READ AND UNDERSTAND THESE INSTRUCTIONS BEFORE INSTALLING FIXTURE

This fixture is intended for installation in accordance with the National Electrical Code and local regulations. To assure full compliance with local codes and regulations, check with your local electrical inspector before installation. To prevent electrical shock, turn off electricity at fuse box before proceeding.

Retain these instructions for maintenance reference.

INSTRUCTION SHEET NO.

IS:6060N

1193

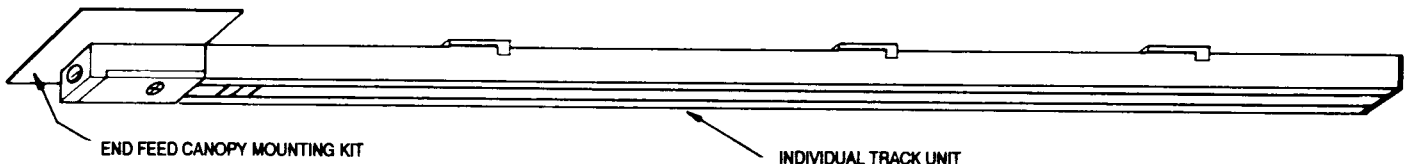
Page 1 of 2

**END FEED CANOPY MOUNTING KIT
FOR USE WITH BASIC OR ADVENT LYESPAN TRACK SYSTEMS ONLY**

The End Feed Canopy Mounting Kit mounts to a Live End, In-Line, L, T, X or Variable Angle Connector for power feed from an outlet box.

CAUTION:

- TURN OFF POWER AT FUSE BOX BEFORE INSTALLING TRACK.
- INSTRUCTIONS FOR GROUNDING MUST BE FOLLOWED. FAILURE TO DO SO MAY RESULT IN A HAZARDOUS CONDITION.
- USE SOLID WIRE ONLY (NOT STRANDED WIRE) FOR SUPPLY TO TRACK.
- OBSERVE POLARITY, WHITE SUPPLY LEAD (NEUTRAL) TO TERMINAL MARKED "NEUT".
- SUPPLY POWER TO ADVENT TRACK FROM A SINGLE PHASE, 20 AMP, 120/240v (3-WIRE) BRANCH CIRCUIT.
- DO NOT SUPPLY ADVENT TRACK FROM TWO SEPARATE 120v BRANCH CIRCUITS AS THIS COULD OVERLOAD THE NEUTRAL TRACK CONDUCTOR LEADING TO AN ELECTRICAL SAFETY HAZARD.



The following instructions show the End Feed Canopy Mounting kit being installed over the Live End of Basic Track. The same instructions apply to installation over an Advent Live End, Basic or Advent In-Line, L, T, X or Variable Angle Connector.

For Basic X and T Connectors, the neutral terminal is the terminal In-Line with the bead in the track. For Advent X and T Connectors, the neutral terminal is the lower terminal In-Line with the bead in the track, see Instruction sheet IS:6151.

LIGHTOLIER® SECAUCUS, NEW JERSEY 07096
MONTREAL, QUEBEC, CANADA

**END FEED CANOPY MOUNTING KIT
FOR USE WITH BASIC OR ADVENT
LYTESPAN TRACK SYSTEMS ONLY (Continued)**

1. Mark centerline of track location through center of J-BOX. Remove BOTTOM COVER from LIVE END.
2. For Basic Live End, T, X, Variable Angle and In-Line connector remove KNOCK-OUT from TOP PLATE (Fig. 4). For Advent Live End, T, X, Variable Angle and In-Line connectors, remove plug and nut from top of connector. For Basic and Advent "L" connectors, remove hole plug from top of connector.
3. Mount CROSS BAR (Fig. 2) to connector (Fig. 4) with SCREW (Fig. 4). If connector contains ALTERNATE TOP PLATE (Fig. 3), no screw is required.
4. Line up CROSS BAR center hole with KNOCK-OUT HOLE in connector. Connect GROUND WIRE (Fig. 2) to grounding terminal in J-BOX (Fig. 1). Pass supply leads from outlet box through CROSS BAR center hole and KNOCK-OUT hole in connector.
5. Mount track to ceiling as shown in track instruction sheet IS:6020 or IS:6121. Secure the CROSS BAR to the J-BOX using the two J-BOX SPECIAL SCREWS included. (Fig. 2)
6. Optional:
 - a. Drill two 5/32" dia. holes in CANOPY DIMPLES.
 - b. Slide the CANOPY between the CROSS BAR and connector.
 - c. Secure with two COVER MOUNTING SCREWS. (Fig. 6)
7. Connect supply leads to terminals in connector as shown in instruction sheet IS:6020 or IS:6121.

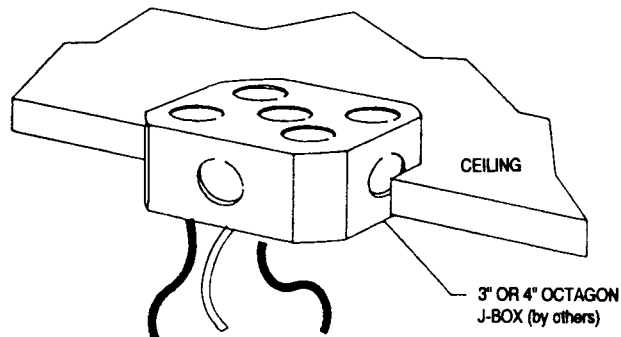


FIG. 1

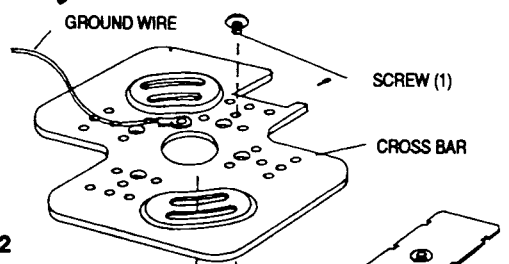


FIG. 2



FIG. 3

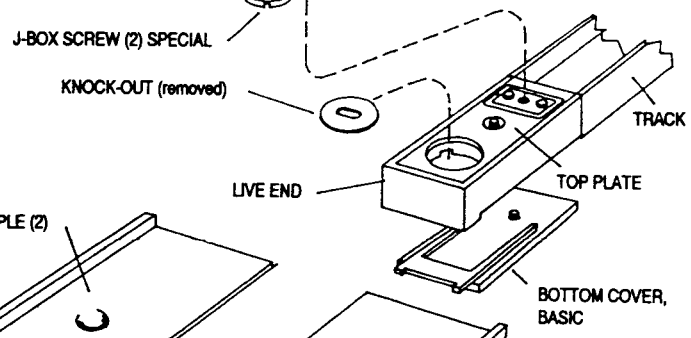


FIG. 4

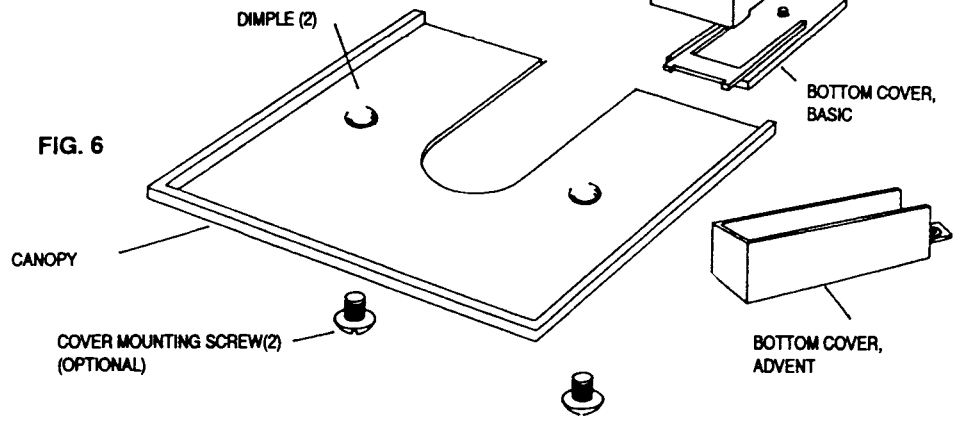


FIG. 6

FIG. 5