



Calculite LED 6" generation 3 provides excellent performance coupled with optimized installation flexibility via UniFrame. Industry leading visual comfort and uniform illumination make it an ideal choice for open office, institution, healthcare, and retail applications.

Standard luminaire: Complete luminaire = Frame + Engine + Trim + Accessories (optional)

Flex install luminaire: Complete luminaires = Engine (F) + Trim + Accessories (optional)

Buy American Act of 1933 (BAA) Compliant luminaire*:** Complete luminaire = Frame-BAC + Engine-BAC + Trim-BAC

* BAA compliance requires that BAC option be selected for each of frame, engine, and trim. Frame and engine will be ordered/shipped together; trim will be ordered/shipped separately. Accessories (optional) are not currently BAA-compliant.

Project: _____
 Location: _____
 Cat.No: _____
 Type: _____
 Qty: _____
 Notes: _____

Frame

standard example: 6RN | BAC example: 6RN-BAC

| Series | Installation | Voltage / Options | | | |
|--------------------|--------------------|-------------------|--|--|--|
| 6R | | | | | |
| 6R 6" Non-IC Round | N New construction | — | Universal 120/277/347V EM6 Emergency, 6W Self-Test/Self-Diagnostic ¹ | LC Chicago Plenum ² BAC Meets the requirements of the Buy American Act of 1933 (BAA) ¹⁰ | |
| | R Remodeler | — | Universal 120/277/347V | BAC Meets the requirements of the Buy American Act of 1933 (BAA) ¹⁰ | |

Engine

| Series | Lumens | CRI/CCT | Beam | Dimming | Options | Voltage | Options |
|----------------------------|------------|---|----------------|--|--|--------------------------------|--|
| C6L | | | | | | | |
| C6L Calculite LED 6" gen 3 | 10 1000lm | 927 90CRI/2700K | N Narrow (40°) | Z10 0-10V 1% | L01 Lutron PEQO EcoSystem 0.1% (up to 2000lm) L1 Lutron LDE1 EcoSystem (500lm not available) RA Integral Interact RF sensor ⁵ (enables wireless connected lighting control) | U 120/277V | F Flex install ⁷ (no frame required) R Calculite legacy retrofit - select legacy luminaires ⁸ BAC Meets the requirements of the Buy American Act of 1933 (BAA) ¹⁰ |
| | 15 1500lm | 930 90CRI/3000K | M Medium (56°) | Z10-D20 0-10V 1% Dim to Off (up to 3500lm) | | 3 347V ⁶ (Z10 only) | |
| | 20 2000lm | 935 90CRI/3500K | W Wide (76°) | | U 120/277V | | |
| | 25 2500lm | 940 90CRI/4000K | | D DALI 0.1% ⁶ | — None LIN Linear | U 120/277V | |
| | 30 3000lm | 950 90CRI/5000K ³ | | SOL EldoLED Solo 0-10V 0.1% DMX Digital Multiplexing w/RDM 0.1% | — None LIN Linear SQR Square | U 120/277V | |
| | 35 3500lm | D2W 90CRI/3000K to 1800K ⁴ (dim-to-warm) | | E Forward & Reverse Phase (up to 3000lm) | | 1 120V | |
| | 48 4800lm* | | | | | | |
| 60 6000lm* | | | | | | | |

* See marked spacings requirements on page 9.

Trim

standard example: C6RDLCCP | BAC example: C6RDLCCP-BAC

| Series | Aperture | Style | Finish | Flange | Options |
|---------------------------|----------|--------------|--|---|--|
| C6 | R | | | | |
| C6 Calculite LED 6" gen 3 | R Round | DL Downlight | BK Black (anodized) CL Specular clear | CC Comfort clear CD Comfort clear diffuse CZ Champagne bronze | — White (matte) P Polished (matches aperture) F Flangeless (requires CA6RFT) |
| | | | WH White (matte) | | — White (matches finish) F Flangeless (requires CA6RFT) |
| | | | WHAMF White (gloss antimicrobial) | | — White (matches finish) |
| | | | SL Shower light ⁹ | WH White (matte) WHAMF White (gloss antimicrobial) | — (not applicable) |

Accessories (Not currently BAA-compliant) learn more on page 2

| | | | |
|------------------|---|------------------|--|
| SBA | Interact Ready System Bridge Accessory (refer to Philips System Bridge Accessory spec sheet for options and details) | 7925 | Sloped ceiling 6" adapter for 6RN and 6RA frames |
| 6RNSR | 6" round/square non-IC frame for use with Flex (F) light engine (provides mechanical support for rough-in construction only, no junction box) | CA6RFT | Mud-in ring for use in 6" round flangeless trim installations (ordered with a flangeless trim) |
| LCEM6 | Field installable Bodine BSL06 emergency battery pack (for Flex (F) light engine only, includes switch mounting plate) | CAEM6 | Field-installable Bodine BSL6 6W battery pack with self-test/self-diagnostic (for new construction frames, 120-277V) |
| T347-75VA | 347:120V step-down transformer for non-IC (N) frame only (see page 2 for details) | C6RVPWH | IP65 Rated vandal proof matte white accessory mounts onto flangeless trims (C6RDLIF) and new construction frame only |
| | | CAEM6TSCP | Must be ordered with EM6 frame for remote test switch (see page 2 for details) |

- Emergency (EM6) frame is compatible with reflector mounted test switch when trim is ordered with IEM6 option, DL style trim only (not compatible with 347V or Power over Ethernet configs). For remote mount switch, order standard trim and CAEM6TSCP mounting plate accessory.
- Chicago Plenum (LC) frame is not available for Buy American Compliant (BAC) configurations.
- Consult factory for 5000K CCT (50) with narrow (N) beam.
- Dim-to-warm (D2W) available only with Z10 dimming up to 2500lm. Narrow (N) and medium (M) beams only.
- Linear driver profile (see page 8).
- DALI 4800lm and 6000lm, and all RA options require linear driver configuration (see page 8).
- Flex install option requires light engine & trim only. Up to 3500lm only. Accessory frames available. Not compatible with standard frames and associated options. Not available with Interact (RA) dimming and IEM6 trim options.
- Retrofits select legacy luminaires (E & Z10 dimming only see pages 2 & 7).
- Non-conductive flush mount lens with pre-installed gasket (matte white non-conductive flange with diffuse lens that is flush with the flange).
- Failure to properly select the "BAC" suffix could result in you receiving product that is not BAA compliant product with no recourse for an RMA or refund. This BAC designation hereunder does not address (i) the applicability of, or availability of a waiver under, the Trade Agreements Act, or (ii) the "Buy America" domestic content requirements imposed on states, localities, and other non-federal entities as a condition of receiving funds administered by the Department of Transportation or other federal agencies.



C6RDL Calculite LED 6" gen 3

Round Downlight

Frame-in-kits

New Construction:

Galvanized stamped steel for dry or plaster ceilings. Preinstalled telescoping mounting bars from 13" to 24". For 4' distances, use 1/2" EMT, 1-1/2" x 1/2" U or C channel.

Max ceiling thickness is 2.75" (70 mm) including PoE frame 4.88" (124 mm) plenum depth for installation.

Patented install Mounting frame:

- Pre-installed mounting bars for fast and tool-less installs into T-grid & hat channel ceilings.
- Close-cut aperture design eliminates possibility of gap between ceiling opening and reflector flange.
- Separate wiring compartment for wiring frame to building allows inspection prior to light engine install.
- Simple plug-and-play connection between frame and light engine from below ceiling.

Retrofit

- Easily updates legacy Calculite downlights to the latest LED technology. Includes light engine, trim, and driver mounted on cover plate that mounts to junction box of previous Calculite generations. Order with RH option code at end of light engine catalog number (see details on page 6).

Compatibility:

| Frames | Engines |
|--|--|
| With CFL S6132_series | Use Retrofit configuration C6R_ Trim + C6L_ Engine |
| With INC BS600_series | Use Retrofit configuration C6R_ Trim + C6L_ Engine |
| With LED C6L_N series C6X6L_N series P6RD_N_series | Use Retrofit configuration C6R_ Trim + C6L_ Engine C6S_ Trim + C6L_ Engine C6R_ Trim + C6L_ Engine |

* Not available for retrofitting luminaires with integral emergency battery.

Emergency

Bodine BSL6 6W battery pack with self-test/diagnostic functionality. Factory or field mounted to frame.

- For trim with integral emergency test switch, order trim with IEM6 option (ex: C6RDLCCIEM6).
- For remote ceiling mounted test switch, order standard trim (ex: C6RDLCC). Optional accessory ceiling mounting plate available (CAEM6TSCP) for remote mounted test switch.
- Refer to Calculite-LyteProfile-EasyLyte Emergency Battery Pack specification sheet for more details.

Dimming

All configurations are FCC Class A unless otherwise specified.

- Advance 0-10V 1% (Z10), logarithmic curve is standard. Specify D2O for factory-set dim-to-off function, consult factory for linear dimming curve.
- EldoLED SOLODrive (SOL) 0-10v 0.1%
- Lutron PEQ0 (L) Hi-Lume Premier 0.1% EcoSystem
- Lutron LDE1 (L01) EcoSystem 1%
- Electronic low voltage (E) - forward or reverse phase dimming, Remodel and AirSeal IC Shallow are FCC Class B
- DALI (D) - DT6 DALI 0.1%
- DMX (DMX) - Digital Multiplexing with RDM 0.1%

Dimming Options

The following are factory-set options for the SOL, D, and DMX driver options (ex. DMXLIN):

- SOL/D/DMX: Logarithmic (-) standard
- SOL/D/DMX: Linear (LIN)
- SOL/DMX: Square (SQR)
- Dim to Warm (D2W): option changes CCT from 3000-1800K gradually as it dims. Use with Z10 dimming only. Fixture-to-fixture consistency of $\leq 3\text{SDCM}$ at 2700K & 3000K, and $\leq 5\text{SDCM}$ at 1800K.

Optical systems

Comfort throughout the space:

True 50° physical cutoff and 45° reflected cutoff.

Quality of light:

2 SDCM ensures color consistency from fixture to fixture and over the luminaire's long lifetime.

MesoOptics PET optical diffusion film:

Provides a smooth beam shape and mitigates color over angle with optimized luminaire efficiency.

Light Engine

Quick connect power pack allow for easy installation and replacement from below ceiling with no need for additional wiring. This allows for:

- Frame and ceiling installation to be performed while still finalizing details such as lumen packages, CCT and control type.
- Easy replacement of electronics at end of life with minimal wasted material and labor required.
- Ease and upgradability of technology.
- 347V light engines are Z10 dimming only and include dedicated 347V driver. For 347V non-Z10 dimming, order T347-75VA field-installed step-down transformer accessory.

Options and Accessories

Flangeless mud-in ring:

Use CA6RFT for use with flangeless plaster installations.

Sloped ceilings: Compatible with sloped ceiling adapters (see SCA spec sheet).

C6RVPWH: includes machined aluminum ring painted white, gasketed for IP65 protection, and impact resistant polycarbonate lens (IK10). Locks in place with discrete setscrew (key included). Available also with antimicrobial finish (C6RVPWHAMF).

CAEM6TSCP: Ceiling cover plate for remote mounted EM6 test switch. 1/2" (25mm) hole, 4 3/8" (109mm) x 2 3/4" (69mm) rectangular. Includes two mounting screws.

Field install EM6 kit with Bodine BSL6 6W battery pack with self-test/self-diagnostic: Includes remote ceiling plate for test switch. To mount test switch to trim for new construction frame, order trim with IEM6 option code (e.g. C6RDLCCIEM6). Refer to Calculite-LyteProfile-EasyLyte Emergency Battery Pack specification sheet for more details.

CAEM6: For use with UniFrame frame in kits.

LCEM6: For use with Flex intall (F) light engines.

SBA: Interact Ready System Bridge Accessory. Requires IRT9015 IR remote and Interact Pro App for commissioning.

T347-75VA: Field installable 347:120V 75VA step-down transformer, attaches to knock out on frame junction box, for use with non-IC (N) or remodel (R) frames.

ENERGY STAR® exceptions

- 90 CRI configurations
- Champagne Bronze & Black finishes
- 347V & Emergency voltage/options
- Dali, EldoLED Solo & PoE drivers

Title 24 exceptions

- 1000lm configurations
- Champagne Bronze & Black finishes

Labels and Listings

- cULus listed for wet locations
- ENERGY STAR® certified
- RoHS certified
- CEC Title 24 JA8 certified
- CCEA (frames with *LC suffix)
- IP65 rated with vandal proof accessory

Warranty



5 year limited warranty
Visit Signify.com/warranties for more information on Signify's standard 5-year limited warranty on complete luminaire systems.

C6RDL Calculite LED 6" gen 3

Round Downlight



AccuRender Technology (CRI 90+)

The right light brings colors to life. Our new AccuRender technology helps ensure colors are rendered more accurately and consistently, while doing so as efficiently as CRI 80 products.



Standard CRI 80
Good color rendering and high efficacy



Standard CRI 90
Better color rendering and low efficacy



AccuRender
Best color rendering, color preference and high efficacy

Enjoy design flexibility

Full range of products and options:

- Available soon in across Lightolier portfolio for application flexibility
- Multiple color temperatures (CCTs) and lumen packages offered

Promote savings

High efficacy, with no penalty:

- Energy efficacy compares well to conventional 80 CRI
- Up to 25% more energy savings vs competitor 90 CRI¹
- Helps meet Title 24 requirements

Show your true colors

High color rendering:

- True to life colors that help energize your environment and render better flesh tones critical for healthcare hospitality and retail applications.
- R_a up to 94 CRI • R_r up to 92 TM-30
- R_g up to 67 CRI • $R_{e,ht}$ up to 91 TM-30
- G_a up to 99 CRI • R_g up to 100 TM-30
- C_g up to 94 CRI • $R_{cs,ht}$ up to -5% TM-30

Achieve color balance

Best in class color consistency:

- Promote aesthetic harmony in your space with ≤ 2 SDCM

Round Downlight

Photometric – Downlights with CRI of 90+ & R9 of 50+

| Lumen Package | Beam | Flux (lm) | Efficacy (lm/W) | Beam Angle | CBCP | CRI | R9 | IES TM-30-18 | | | UGR |
|---------------|------------|-----------|-----------------|------------|-------|-----|-----|--------------|-------|-------------|-----|
| | | | | | | | | R_r | R_g | $R_{cs,ht}$ | |
| 1000 lm | Narrow (N) | 989 | 115 | 36° | 2510 | 90+ | 50+ | 91 | 100 | -5% | 0 |
| | Medium (M) | 1011 | 116 | 57° | 1183 | 90+ | 50+ | 91 | 100 | -5% | 0 |
| | Wide (W) | 942 | 108 | 76° | 641 | 90+ | 50+ | 91 | 100 | -5% | 0 |
| 1500 lm | Narrow (N) | 1522 | 119 | 36° | 3863 | 90+ | 50+ | 91 | 100 | -5% | 1 |
| | Medium (M) | 1530 | 117 | 57° | 1790 | 90+ | 50+ | 91 | 100 | -5% | 1 |
| | Wide (W) | 1420 | 109 | 76° | 965 | 90+ | 50+ | 91 | 100 | -5% | 1 |
| 2000 lm | Narrow (N) | 2075 | 119 | 36° | 5265 | 90+ | 50+ | 91 | 100 | -5% | 2 |
| | Medium (M) | 2070 | 116 | 57° | 2422 | 90+ | 50+ | 91 | 100 | -5% | 2 |
| | Wide (W) | 1918 | 107 | 76° | 1304 | 90+ | 50+ | 91 | 100 | -5% | 2 |
| 2500 lm | Narrow (N) | 2511 | 115 | 36° | 6372 | 90+ | 50+ | 91 | 100 | -5% | 3 |
| | Medium (M) | 2526 | 119 | 57° | 2954 | 90+ | 50+ | 91 | 100 | -5% | 3 |
| | Wide (W) | 2377 | 112 | 76° | 1616 | 90+ | 50+ | 91 | 100 | -5% | 3 |
| 3000 lm | Narrow (N) | 2927 | 115 | 36° | 7428 | 90+ | 50+ | 91 | 100 | -5% | 4 |
| | Medium (M) | 3051 | 116 | 57° | 3568 | 90+ | 50+ | 91 | 100 | -5% | 4 |
| | Wide (W) | 2834 | 107 | 76° | 1926 | 90+ | 50+ | 91 | 100 | -5% | 4 |
| 3500 lm | Narrow (N) | 3333 | 117 | 36° | 8457 | 90+ | 50+ | 91 | 100 | -5% | 4 |
| | Medium (M) | 3414 | 116 | 57° | 3993 | 90+ | 50+ | 91 | 100 | -5% | 4 |
| | Wide (W) | 3145 | 107 | 76° | 2138 | 90+ | 50+ | 91 | 100 | -5% | 4 |
| 4800 lm | Narrow (N) | 4491 | 111 | 36° | 11397 | 90+ | 50+ | 91 | 100 | -5% | 5 |
| | Medium (M) | 4874 | 116 | 57° | 5701 | 90+ | 50+ | 91 | 100 | -5% | 6 |
| | Wide (W) | 4500 | 107 | 76° | 3059 | 90+ | 50+ | 91 | 100 | -5% | 5 |
| 6000 lm | Narrow (N) | 5529 | 104 | 36° | 14031 | 90+ | 50+ | 91 | 100 | -5% | 6 |
| | Medium (M) | 6090 | 112 | 57° | 7123 | 90+ | 50+ | 91 | 100 | -5% | 6 |
| | Wide (W) | 5628 | 103 | 76° | 3825 | 90+ | 50+ | 91 | 100 | -5% | 6 |

C6RDL Calculite LED 6" gen 3

Round Downlight

interact

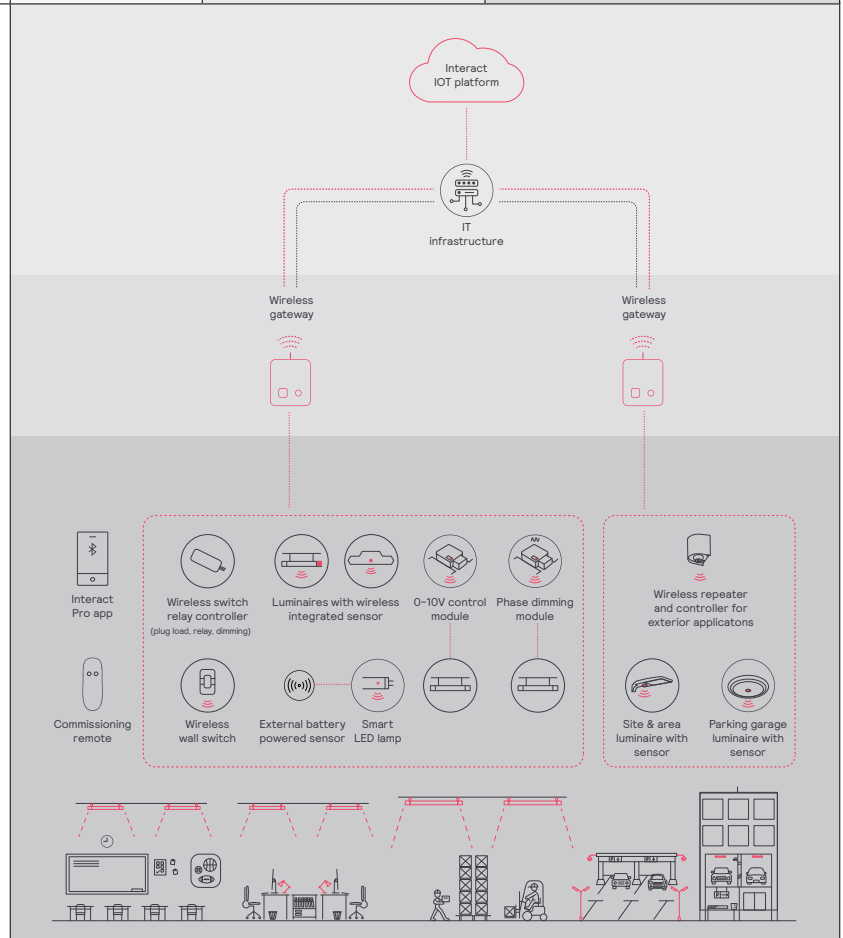
| | Gateway Connected | | |
|---|-------------------|----------|----------|
| | Standalone | Option 1 | Option 2 |
| Dimming, grouping, and zoning | ✓ | ✓ | ✓ |
| Bluetooth and ZigBee enabled | ✓ | ✓ | ✓ |
| Motion sensing and daylight harvesting | ✓ | ✓ | ✓ |
| Integration with 0-10V and phase dimming fixtures | ✓ | ✓ | ✓ |
| Code compliance | ✓ | ✓ | ✓ |
| Granular dimming and dwell time | ✓ | ✓ | ✓ |
| Correlated color temperature (CCT) tuning by switch | New ✓ | ✓ | ✓ |
| Support for sensor-based Tunable White luminaires | New ✓ | ✓ | ✓ |
| Energy reporting and monitoring | | ✓ | ✓ |
| Scheduling | | ✓ | ✓ |
| Demand response | | ✓ | ✓ |
| BMS integration (BACnet) | | | ✓ |
| Floor plan visualization | | | ✓ |
| IoT sensors for wellness | | | ✓ |
| IoT Apps for productivity | | | ✓ |

Currently supported maximum system size

To be able to design the lighting system correctly for the customer, it is important to know the prime characteristics of the system, its possibilities and limitations.

| System level | |
|--|-----------------|
| Total number of gateways | Unlimited |
| Total number of devices | 200 per network |
| • Luminaires with integrated sensors | 150 |
| • Smart TLEDS | 150 |
| • Zones + groups | 64 |
| Total number of ZGP devices (sensors and switches) | 50 |
| • Sensors | 30 |
| • Switches | 50 |

| Group level | |
|------------------------------|------------------|
| Recommended number of lights | 40 (maximum 150) |
| Number of ZGP devices | 5 |
| Number of scenes | 16 |



C6RDL Calculite LED 6" gen 3

Round Downlight

Wireless controls options

Interact

- SWZCS is a connected sensor with integral occupancy and daylight sensing and supports wireless mesh connectivity.
- The sensor works in the standalone mode (similar to SpaceWise) when configured without a gateway or in a cloud connected mode if a compatible gateway is used.
- Interact includes an App, a portal and a broad portfolio of wireless luminaires, lamps and retrofit kits all working on the same system.
- Startup is implemented via Interact Pro App (Android or iPhone) & Bluetooth connectivity. The App provides flexibility to choose between a gateway or non gateway mode for setup.
- Setup with the gateway requires wired internet access to the gateway. It is possible to add a gateway at a later point.
- Prepare project configuration steps remotely and use IRT9015 remote on-site to identify and group devices together.

Compatible with:

- SWS200 & UID8465 wireless scene switch
- Battery powered IP42 presence sensor OCC sensor IA CM WH 10/1
- Battery powered IP42 presence & daylight sensor OCC-DL sensor IA CM IP42 WH
- LCN3110: battery powered IP65 presence sensor, OCC sensor IA CM IP65W
- LCN3120: battery powered IP65 presence & daylight sensor, OCC-DL sensor IA CM IP65 WH
- For more information on Interact visit: interact-lighting.com/interactproscalablesystem

Radio only sensor (RA or RADIO)

- Integral RA or RADIO only sensor simply enables wireless mesh connectivity to the luminaire without any occupancy or daylight sensing.
- Ideal for applications where sensing functionality is managed by other Interact devices and the luminaire only needs to have wireless connectivity.
- Interact includes an App, a portal and a broad portfolio of wireless luminaires, lamps and retrofit kits all working on the same system.
- Startup is implemented via Interact Pro App (Android or iPhone) & Bluetooth connectivity. The App provides flexibility to choose between a gateway or non-gateway mode for setup.
- Setup with the gateway requires wired internet access to the gateway. It is possible to add a gateway at a later point.
- Prepare project configuration steps remotely, identify and group devices together onsite.
- Compatible with SWS200 and UID8465 wireless scene switch, wireless Occ sensor (OCC SENSOR IA CM IP42 WH 10/1) and wireless Day/Occ sensor (OCC MULTI SENSOR IA CM WH 10/1).
- For more information on Interact visit: interact-lighting.com/interactproscalablesystem

Sensor bundle (IAOSB or SB)

- A wireless IoT connected lighting solution for large enterprises that span across multiple floors, buildings and require multiple gateways.
- View all your projects under one dashboard and easily compare insights from multiple projects in one view.
- Compatible with SWS200 wireless scene switch, wireless Occ sensor (OCC SENSOR IA CM IP42 WH 10/1) and wireless Day/Occ sensor (OCC MULTI SENSOR IA CM WH 10/1) and wireless Occupancy or Daylight & Occupancy sensors available. Use Interact software and insights to increase building efficiency, achieve building wide integration and optimize space through occupancy analytics.
- IAOSB or SB option in addition to occupancy and daylights sensing supports advanced IoT capabilities, such as people estimation analysis, desk level temperature & humidity sensing, noise classification, and BLE beacon.
- Requires compatible Gateway and internet connectivity for commissioning.
- For more information, visit: interact-lighting.com/interactproscalablesystem

Emergency Options (ER100)

- **Power Sensing** (factory default) – Recommended UL924 option requires unswitched power sense line, absence of voltage on the normal circuit triggers luminaire to 100% output.
- **Power Interruption Detection** (field option) – Detects AC power interruption >30ms triggers 90 minute emergency mode with luminaire at 100% output.

Interact supported sensor option codes across Genlyte product lines

| | Evokit | Day-Brite | Ledalite | Lightolier |
|---|--------|-----------|----------|--------------------------|
| ZigBee + Bluetooth + Sensing | SWZCS | SWZCS | CS | SBA accessory (external) |
| ZigBee + Bluetooth | RADIO | RADIO | RA | RA |
| ZigBee + Bluetooth + Sensing + Environmental data | IAOSB | IAOSB | SB | SB |
| ZigBee + Highbay + Sensing | - | SWZCSH | - | - |

C6RDL Calculite LED 6" gen 3

Round Downlight

Polished Reflectors



Specular clear (CL): Most specular and most efficient finish, delivers maximum photometric performance but can produce a mirror image effect of the interior space.



Champagne bronze (CZ): Semi-specular finish that softens light at the source of the reflector while providing a warmer reflector appearance (slightly warmer).



Comfort clear (CC): Semi-specular finish that softens the light at the source of the reflector and creates a subtle, even luminance from the reflector cone.



White (WH): (matte) Brightest illuminated aperture and provides the smoothest transition to most ceilings when off (white is only available with a white flange).



Comfort clear diffuse (CD): Slightly diffuse clear finish, that eliminates iridescence and reduces the mirror image effect inherent with specular finishes.



Black (BK): (anodized) Specular finish that provides the lowest aperture brightness possible and significantly reduces source identification in a ceiling.



Vandal proof (VP): Provides an elegant solution for vandal resistant needs. One piece machined aluminum ring with impact resistant clear lens. Flangeless (F) flange must be ordered. Provides the luminaire with an IK10 impact and IP65 rating.



Shower light (SL): Wet location rated shower light with clear acrylic lens applicable in any installation requiring dead front trims, interior or exterior non-corrosive applications, or where a diffused lens at the ceiling is required (non-conductive).

Flanges



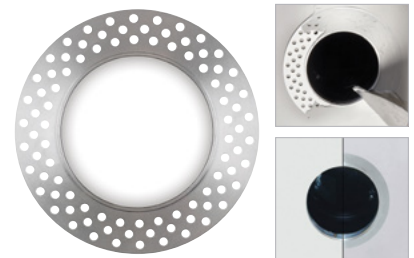
White (-): (matte) Provides the smoothest transition to ceilings when off.



Polished (P): (matches aperture) Produces a continuous look throughout the reflector (aperture matching).



Flangeless (F): (flush-mount) Creates a flush, virtually seamless transition from aperture to ceiling.

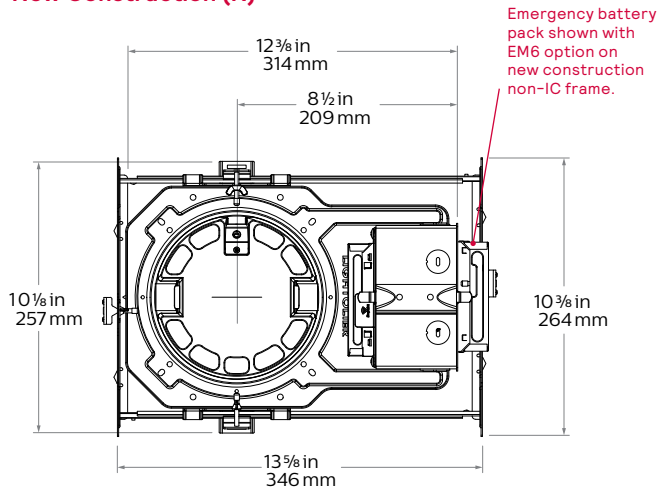


Mud-in ring (FT): Low profile, machined aluminum mud-in ring provides a raised rib to plaster up to and a 3/16" flange thickness. The ring is attached to the ceiling material as opposed to the frame-in kit to avoid conduction of heat and vibration which can cause yellowing or cracking of the plaster.

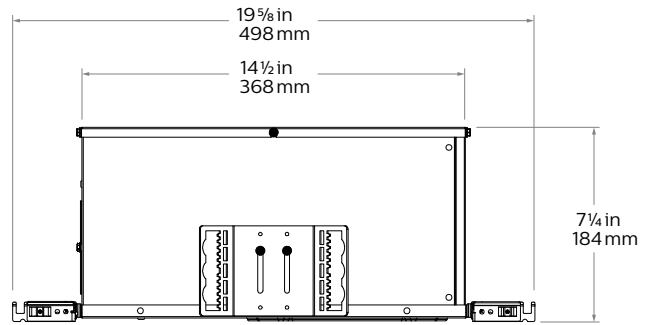
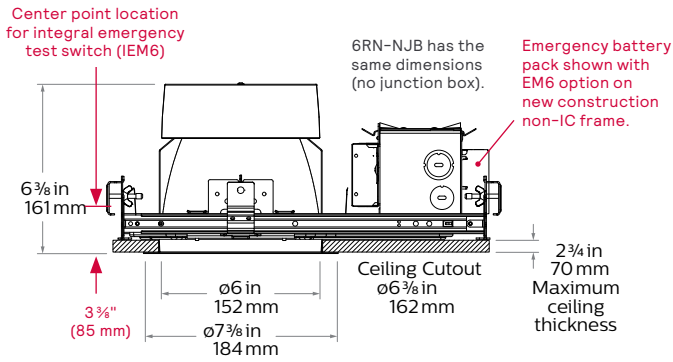
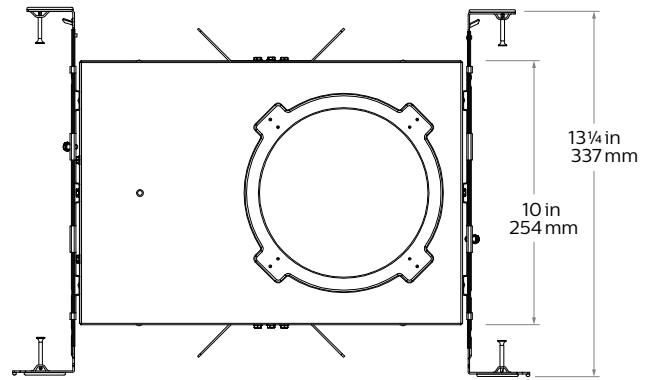
C6RDL Calculite LED 6" gen 3

Round Downlight

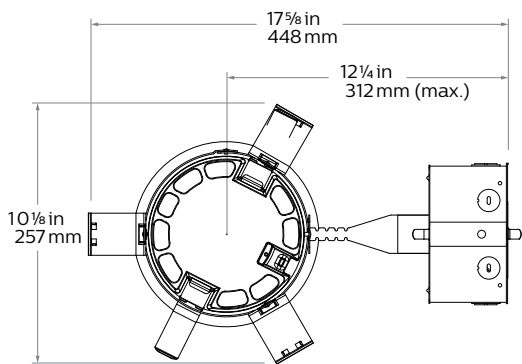
New Construction (N)



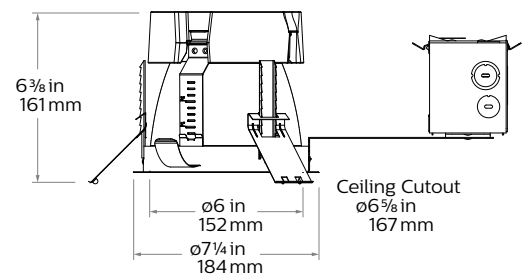
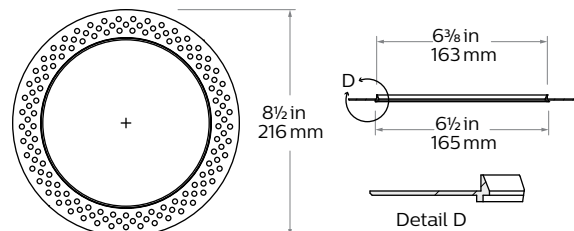
Chicago Plenum (LC)



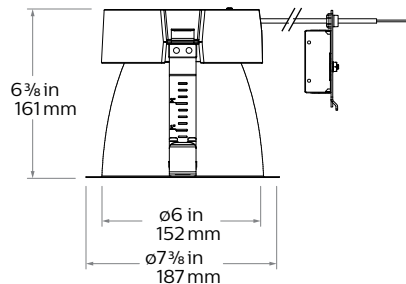
Remodeler (R)



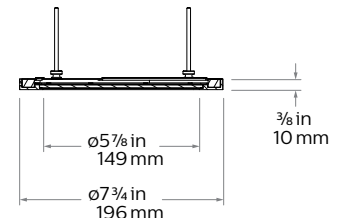
Flangeless mud-in ring (CA6RFT) accessory



Retrofit (R) with round trim



Vandal Proof (VP) accessory

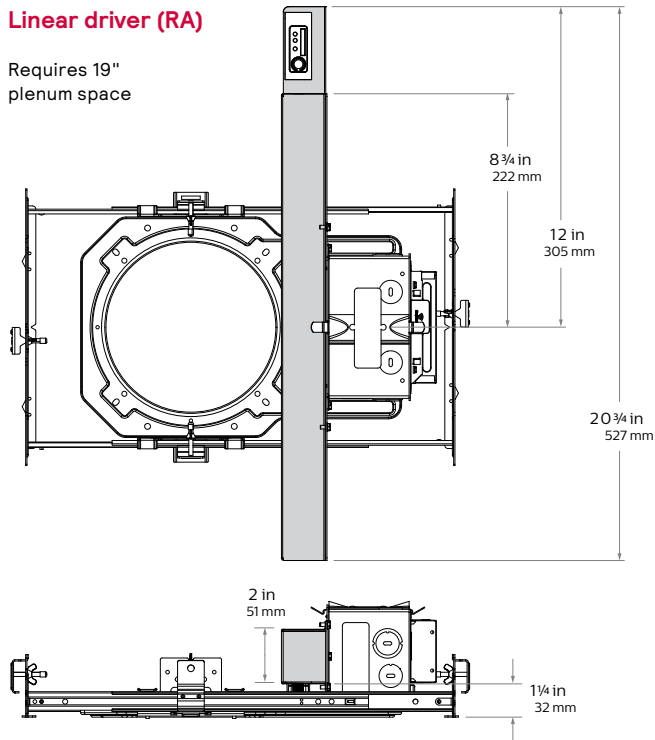


C6RDL Calculite LED 6" gen 3

Round Downlight

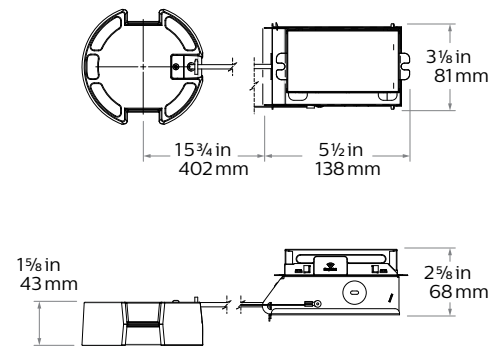
Linear driver (RA)

Requires 19" plenum space

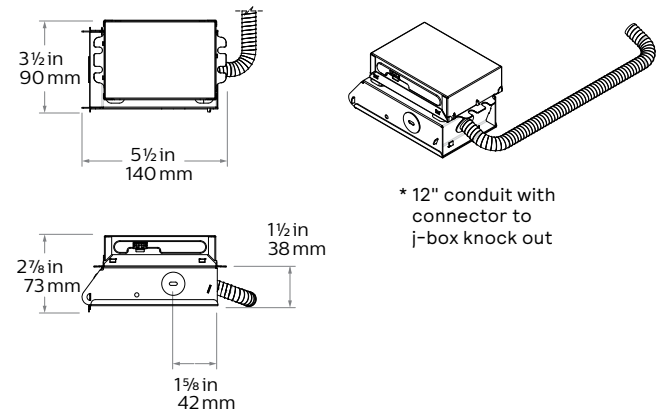


Dimensions for DALI 4800lm & 6000lm, & RA light engines.
Sensor shown for RA light engine only.

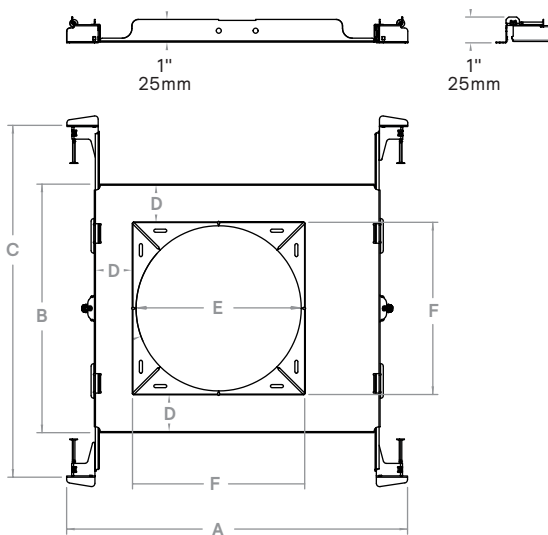
Flex Install (F)



LCEM6 Flex install (F) engine only



6RNSR Flex install non-IC frame



| A | B | C | D | E | F |
|---------|--------|---------|--------|--------|--------|
| 13 1/4" | 9 5/8" | 13 5/8" | 1 1/2" | 6 3/8" | 5 5/8" |
| 334mm | 244mm | 345mm | 37mm | 162mm | 169mm |

C6RDL Calculite LED 6" gen 3

Round Downlight

Electrical - Narrow

| Light engine | Input Volts | Input Freq. | Input Current | Drive Current | Input Power | LED Power | THD Factor @ Max Load | Power Factor |
|--------------|-------------|-------------|---------------|---------------|-------------|-----------|-----------------------|--------------|
| 1000lm | 120V | 50/60Hz | 0.072A | 0.22A | 8.6W | 7.0W | <10% | >0.9 |
| | 277V | 50/60Hz | 0.032A | 0.22A | 8.8W | 7.0W | <20% | >0.9 |
| | 347V | 50/60Hz | 0.029A | 0.22A | 10.0W | 7.0W | <30% | >0.9 |
| 1500lm | 120V | 50/60Hz | 0.107A | 0.33A | 12.8W | 10.7W | <10% | >0.9 |
| | 277V | 50/60Hz | 0.046A | 0.33A | 12.9W | 10.7W | <10% | >0.9 |
| | 347V | 50/60Hz | 0.042A | 0.33A | 14.6W | 10.7W | <25% | >0.9 |
| 2000lm | 120V | 50/60Hz | 0.145A | 0.45A | 17.4W | 14.7W | <10% | >0.9 |
| | 277V | 50/60Hz | 0.063A | 0.45A | 17.5W | 14.7W | <10% | >0.9 |
| | 347V | 50/60Hz | 0.056A | 0.45A | 19.4W | 14.7W | <20% | >0.9 |
| 2500lm | 120V | 50/60Hz | 0.178A | 0.55A | 21.4W | 18.2W | <10% | >0.9 |
| | 277V | 50/60Hz | 0.078A | 0.55A | 21.5W | 18.2W | <10% | >0.9 |
| | 347V | 50/60Hz | 0.065A | 0.55A | 22.7W | 18.2W | <20% | >0.9 |
| 3000lm | 120V | 50/60Hz | 0.212A | 0.65A | 25.5W | 21.7W | <10% | >0.9 |
| | 277V | 50/60Hz | 0.091A | 0.65A | 25.3W | 21.7W | <10% | >0.9 |
| | 347V | 50/60Hz | 0.077A | 0.65A | 26.7W | 21.7W | <15% | >0.9 |
| 3500lm | 120V | 50/60Hz | 0.237A | 0.75A | 28.4W | 24.4W | <10% | >0.9 |
| | 277V | 50/60Hz | 0.103A | 0.75A | 28.4W | 24.4W | <10% | >0.9 |
| | 347V | 50/60Hz | 0.084A | 0.75A | 29.1W | 24.4W | <15% | >0.9 |
| 4800lm | 120V | 50/60Hz | 0.338A | 1.05A | 40.5W | 34.9W | <10% | >0.9 |
| | 277V | 50/60Hz | 0.145A | 1.05A | 40.3W | 34.9W | <10% | >0.9 |
| | 347V | 50/60Hz | 0.118A | 1.05A | 41.0W | 34.9W | <10% | >0.9 |
| 6000lm | 120V | 50/60Hz | 0.442A | 1.35A | 53.0W | 45.6W | <10% | >0.9 |
| | 277V | 50/60Hz | 0.188A | 1.35A | 52.1W | 45.6W | <10% | >0.9 |
| | 347V | 50/60Hz | 0.153A | 1.35A | 53.0W | 45.6W | <10% | >0.9 |

Electrical - Medium & Wide

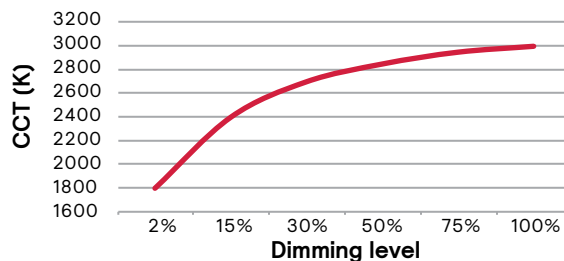
| Light engine | Input Volts | Input Freq. | Input Current | Drive Current | Input Power | LED Power | THD Factor @ Max Load | Power Factor |
|--------------|-------------|-------------|---------------|---------------|-------------|-----------|-----------------------|--------------|
| 1000lm | 120V | 50/60Hz | 0.073A | 0.22A | 8.7W | 7.1W | <10% | >0.9 |
| | 277V | 50/60Hz | 0.032A | 0.22A | 8.9W | 7.1W | <20% | >0.9 |
| | 347V | 50/60Hz | 0.029A | 0.22A | 10.2W | 7.1W | <30% | >0.9 |
| 1500lm | 120V | 50/60Hz | 0.109A | 0.33A | 13.0W | 10.9W | <10% | >0.9 |
| | 277V | 50/60Hz | 0.047A | 0.33A | 13.1W | 10.9W | <10% | >0.9 |
| | 347V | 50/60Hz | 0.043A | 0.33A | 14.9W | 10.9W | <25% | >0.9 |
| 2000lm | 120V | 50/60Hz | 0.149A | 0.45A | 17.8W | 15.1W | <10% | >0.9 |
| | 277V | 50/60Hz | 0.065A | 0.45A | 18.0W | 15.1W | <10% | >0.9 |
| | 347V | 50/60Hz | 0.057A | 0.45A | 19.8W | 15.1W | <20% | >0.9 |
| 2500lm | 120V | 50/60Hz | 0.179A | 0.55A | 21.4W | 18.2W | <10% | >0.9 |
| | 277V | 50/60Hz | 0.078A | 0.55A | 21.6W | 18.2W | <10% | >0.9 |
| | 347V | 50/60Hz | 0.066A | 0.55A | 22.8W | 18.2W | <20% | >0.9 |
| 3000lm | 120V | 50/60Hz | 0.220A | 0.67A | 26.4W | 22.4W | <10% | >0.9 |
| | 277V | 50/60Hz | 0.095A | 0.67A | 26.2W | 22.4W | <10% | >0.9 |
| | 347V | 50/60Hz | 0.079A | 0.67A | 27.5W | 22.4W | <15% | >0.9 |
| 3500lm | 120V | 50/60Hz | 0.245A | 0.75A | 29.4W | 25.3W | <10% | >0.9 |
| | 277V | 50/60Hz | 0.106A | 0.75A | 29.4W | 25.3W | <10% | >0.9 |
| | 347V | 50/60Hz | 0.087A | 0.75A | 30.1W | 25.3W | <15% | >0.9 |
| 4800lm | 120V | 50/60Hz | 0.350A | 1.08A | 42.0W | 36.1W | <10% | >0.9 |
| | 277V | 50/60Hz | 0.150A | 1.08A | 41.5W | 36.1W | <10% | >0.9 |
| | 347V | 50/60Hz | 0.122A | 1.08A | 42.5W | 36.1W | <10% | >0.9 |
| 6000lm | 120V | 50/60Hz | 0.454A | 1.38A | 54.5W | 46.8W | <10% | >0.9 |
| | 277V | 50/60Hz | 0.193A | 1.38A | 53.5W | 46.8W | <10% | >0.9 |
| | 347V | 50/60Hz | 0.157A | 1.38A | 54.5W | 46.8W | <10% | >0.9 |

Lifetime (TM-21) data

| Lumens | Narrow beam | Medium/Wide beam |
|---------|------------------|------------------|
| 1000lm | L90 @ 60,000hrs. | L90 @ 60,000hrs. |
| 1500lm | | |
| 2000lm | | |
| 2500lm | | |
| 3500lm* | | |
| 4800lm | | |
| 6000lm | L90 @ 60,000hrs. | L80 @ 60,000hrs. |

* Lutron 3500lm with Medium/Wide beam is L85 @ 60,000hrs.

Dim-to-Warm: CCT vs Dimmed level



Marked spacing applications

| Light engine | 4800lm | 6000lm |
|----------------|--------|--------|
| C6L_Z10 series | X | X |
| C6L_L01 series | X | X |
| C6L_L1 series | X | X |
| C6L_LD series | X | X |

| Light engine | 4800lm | 6000lm |
|----------------|--------|--------|
| C6L_LTE series | X | X |
| C6L_D series | X | X |
| C6L_DMx series | X | X |
| C6L_RA series | X | X |

Modules marked with an X require marked spacing:

- Center-to-center of adjacent luminaires: 24" (610mm)
- Luminaire center to side building member: 12" (305mm)

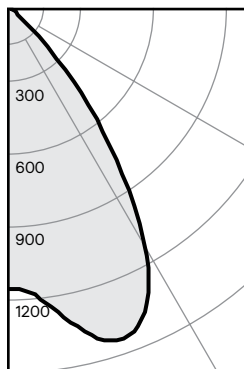
In accordance with CAN ICES-005-A/ NEB-005-A and FCC Part 15-A.

C6RDL Calculite LED 6" gen 3

Round Downlight

Wide beam, 2500lm Engine, 112lm/W at 21W

Candela Curve



6RN / C6L25935WZ10U / C6RDLCL

Output lumens: 2378 lms
 Input watts: 21.3 W
 CRI: 90 min
 CCT¹: 3500K
 Spacing Crit.: 1.3
 Beam Angle: 76°

Zonal summary

| Zone | Lumens | %Luminaire |
|------|--------|------------|
| 0-30 | 1420 | 59.7% |
| 0-40 | 2131 | 89.6% |
| 0-60 | 2376 | 99.9% |
| 0-90 | 2378 | 100.0% |

| Angle | Mean CP | Lumens |
|-------|---------|--------|
| 0 | 1616 | |
| 5 | 1642 | |
| 10 | 1705 | 159 |
| 15 | 1780 | |
| 20 | 1762 | 501 |
| 25 | 1665 | |
| 30 | 1478 | 760 |
| 35 | 1160 | |
| 40 | 758 | 711 |
| 45 | 277 | |
| 50 | 25 | 238 |
| 55 | 7 | |
| 60 | 3 | 7 |
| 65 | 2 | |
| 70 | 1 | 2 |
| 75 | 1 | |
| 80 | 0 | 1 |
| 85 | 0 | |
| 90 | 0 | 0 |

Single unit data

| Height to lighted plane | Initial center beam foot-candles | Beam diameter (ft)* |
|-------------------------|----------------------------------|---------------------|
| 5' | 65 | 6.5' |
| 6' | 45 | 7.8' |
| 7' | 33 | 9.1' |
| 8' | 25 | 10.4' |
| 9' | 20 | 11.7' |

* Beam diameter is where foot-candles drop to 50% of maximum.

Multiple unit data - RCR 2

| Spacing on center | Initial center beam foot-candles | Watts per sq. ft. |
|-------------------|----------------------------------|-------------------|
| 5' | 107.0 | 0.94 |
| 6' | 70.0 | 0.62 |
| 7' | 50.0 | 0.44 |
| 8' | 42.0 | 0.37 |
| 9' | 34.0 | 0.30 |

38' x 38' x 10' Room, Workplane 2.5' above floor, 80/50/20% Reflectances

Efficacy: 111.6lm/W
 Report²: STMR-2438

Adjustment factors

| Finish | CCT | Lumens |
|-----------|---------------------|---------------|
| CL = 100% | 90CRI, 4000K = 102% | 6000lm = 240% |
| CC = 95% | 90CRI, 3500K = 100% | 4800lm = 192% |
| CD = 87% | 90CRI, 3000K = 96% | 3500lm = 140% |
| CZ = 63% | 90CRI, 2700K = 92% | 3000lm = 120% |
| WH = 87% | | 2500lm = 100% |
| BK = 57% | | 2000lm = 80% |
| | | 1500lm = 60% |
| | | 1000lm = 40% |

Coefficients of utilization

| Ceiling | 80% | | 70% | | 50% | | 30% | | 0% | | |
|-------------------|---|-----|-----|-----|-----|-----|-----|-----|-----|-----|-----|
| | 70 | 50 | 30 | 10 | 50 | 10 | 50 | 10 | 50 | 10 | |
| Wall | 70 | 50 | 30 | 10 | 50 | 10 | 50 | 10 | 50 | 10 | |
| RCR | Zonal cavity method - Effective floor reflectance = 20% | | | | | | | | | | |
| Room Cavity Ratio | 0 | 119 | 119 | 119 | 116 | 116 | 111 | 111 | 106 | 106 | 100 |
| | 1 | 113 | 110 | 108 | 105 | 108 | 104 | 104 | 100 | 100 | 97 |
| | 2 | 107 | 102 | 98 | 94 | 100 | 93 | 97 | 91 | 94 | 89 |
| | 3 | 101 | 94 | 89 | 85 | 93 | 84 | 90 | 83 | 88 | 81 |
| | 4 | 95 | 87 | 81 | 77 | 86 | 76 | 84 | 75 | 82 | 75 |
| | 5 | 90 | 81 | 75 | 70 | 80 | 70 | 78 | 69 | 76 | 69 |
| | 6 | 85 | 75 | 69 | 64 | 74 | 64 | 73 | 64 | 71 | 63 |
| | 7 | 80 | 70 | 64 | 59 | 69 | 59 | 68 | 59 | 67 | 58 |
| | 8 | 76 | 65 | 59 | 54 | 65 | 54 | 64 | 54 | 63 | 54 |
| | 9 | 72 | 61 | 55 | 50 | 61 | 50 | 60 | 50 | 59 | 50 |
| | 10 | 68 | 57 | 51 | 47 | 57 | 47 | 56 | 47 | 55 | 46 |

1. Correlated Color Temperature within specs as defined in ANSI_NEMA_ANSI C78.377-2008: Specifications for the Chromaticity of Solid State Lighting Products.
 2. Tested using absolute photometry as specified in LM79: IESNA Approved Method for the Electrical and Photometric Measurements of Solid-State Lighting Products.