

Project: \_\_\_\_\_

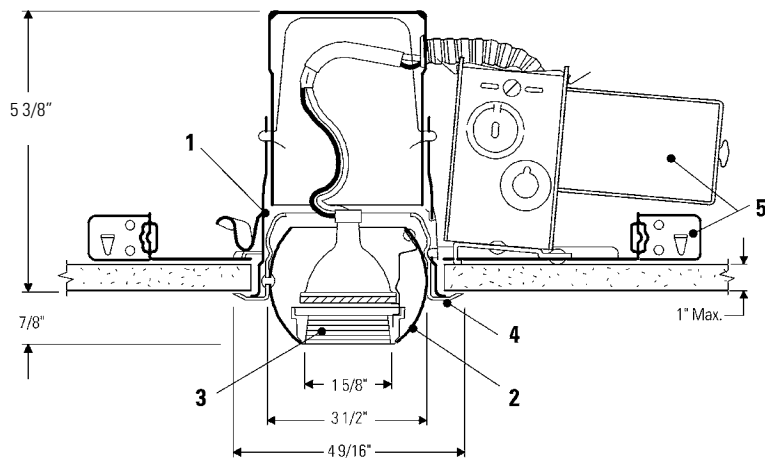
Location: \_\_\_\_\_

Cat.No: \_\_\_\_\_

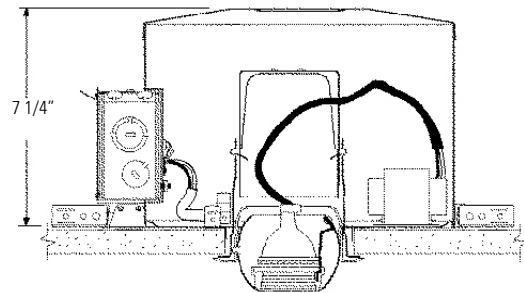
Type: \_\_\_\_\_

Lamps: \_\_\_\_\_ Qty: \_\_\_\_\_

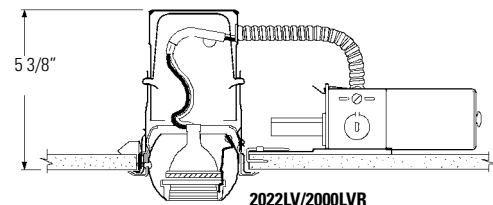
Notes: \_\_\_\_\_



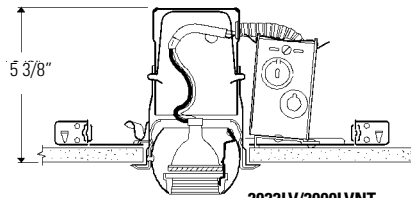
**2022LV/2000LV Series**  
Standard MR16



**2022LV/2004ICV/N**  
LyteAiring™ AirSeal® Insulated Ceiling



**2022LV/2000LVR**  
Remodeler/Non-IC



**2022LV/2000LVNT**  
Remote Transformer  
Low Voltage

Complete Fixture consists of Reflector Trim & Frame-In Kit. Select each separately.

Reflector Trim	Frame-In Kit — See Individual Frame-In Kit Specification Sheets			
	Low Voltage			
	Frame-In Kit	Installation Type	Lamping	Height
2022LV Matte White w/Black Baffle	2000LV	Standard Non-IC		5 3/8"
	2000LVR	Remodeler Non-IC		5 3/8"
	2000LVRE1	Remodeler Non-IC		5 3/8"
	2000LVE1	Electronic Low Voltage Non-IC 120V	20W-50W MR16	5 3/8"
	2000LVE2	Electronic Low Voltage Non-IC 277V		5 3/8"
	2004ICV/N	LyteAiring AirSeal® IC	20W-37W MR16	7 1/4"
	2000LVNT	Low Voltage Remote Transformer	20W-42W MR16	5 3/8"
	2000AICV	AirSeal® IC	20W-35W MR16	7 5/16"

# 2022LV Lytecaster Low Voltage 3 3/4"

## MR16 Eyeball Trim

### Features

1. **Housing:** Hydroformed aluminum, .040" thick (18 ga.).
2. **Eyeball Housing:** Die-formed, one piece, aluminum, .040" thick (18 ga.). Provides 358° horizontal rotation and 0° to 45° vertical adjustment; matte white or polished brass finish.
3. **Step Baffle:** Die-cast aluminum with stepped conical surface for low brightness; precision-fitted into eyeball housing; matte black finish.
4. **Trim Flange:** Die-formed, aluminum .040" thick (18 ga.). Matte white or polished brass finish.
5. **Frame-In Kit:** (2000LV standard frame shown) Other frames shown on the right. See Frame-In Kit specification sheets for more details.

### Options & Accessories

**Retaining Clips:** 1955 - For Installing in Existing Ceiling

### Labels

UL (Suitable for Damp Locations), I.B.E.W

