



**LEDALITE**

# Installation Documentation

# ID-A1

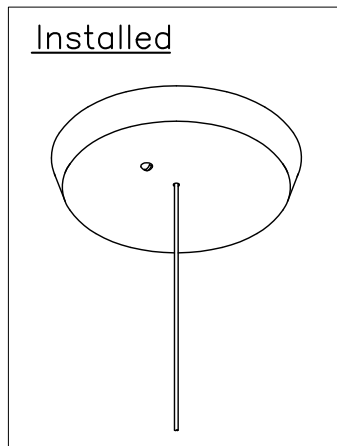
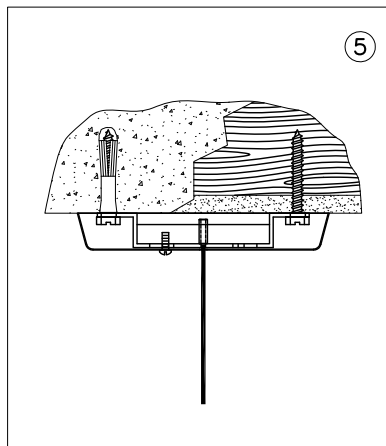
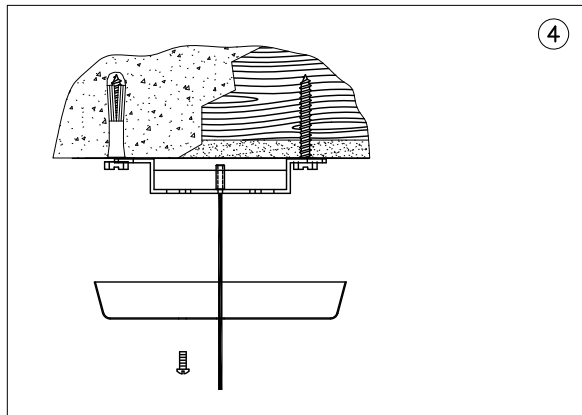
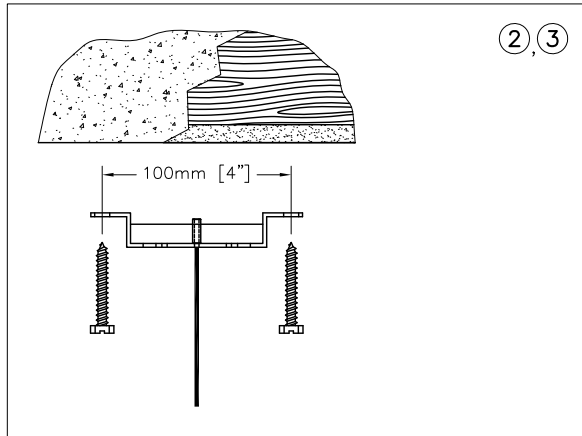
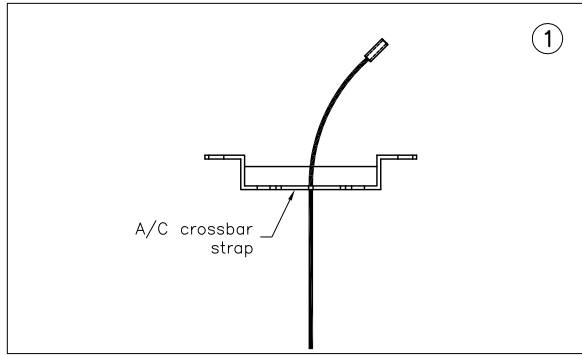
## A1 CABLE MOUNT Support Connection at Ceiling

Instructions included with this package:

| <b>Document</b> | <b>Description</b>                           |
|-----------------|--|
| A1-BP0          | A1 Cable Mounting Installation without Power |
| A1-BP1,2        | A1 Cable Mounting Installation with Power    |

**PLEASE RETAIN PACKAGE FOR FUTURE REFERENCE**





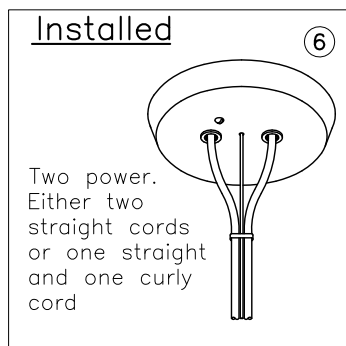
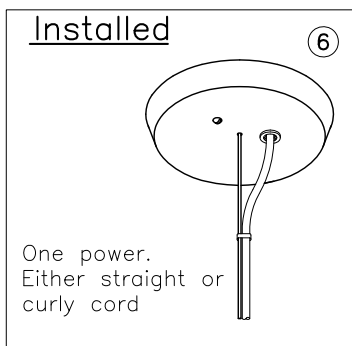
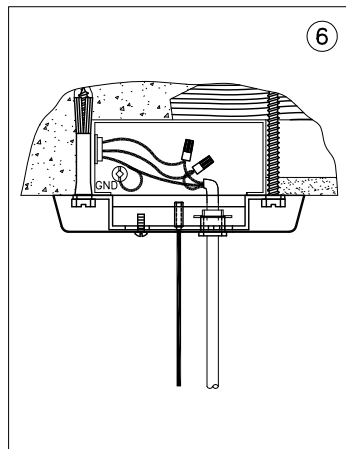
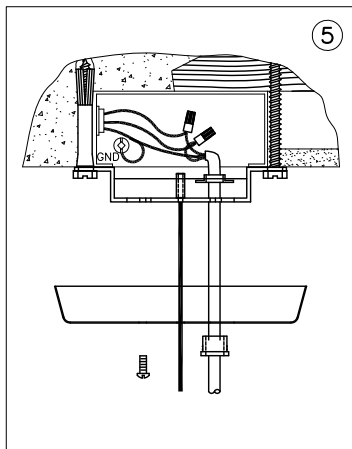
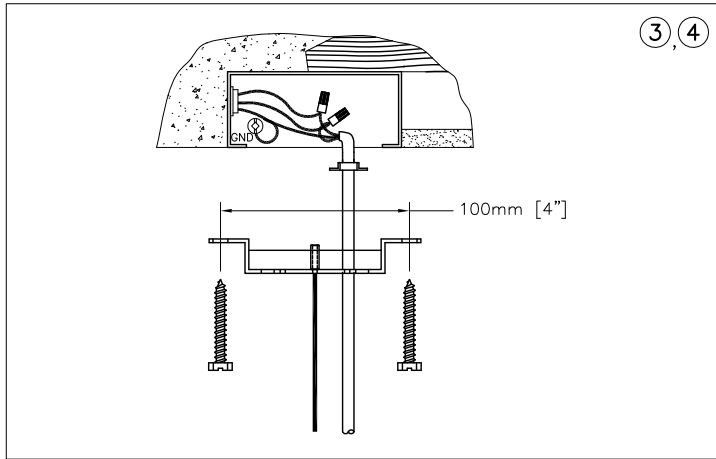
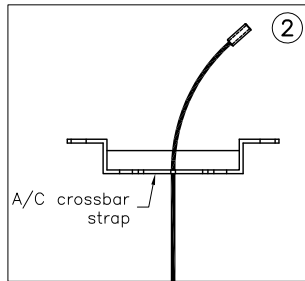
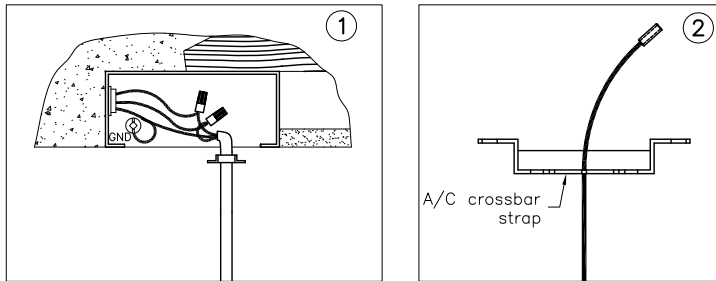
Installation Instructions

- Mount Installation
- ① Thread crimped aircraft cable through A/C crossbar strap.
  - ② Select appropriate fasteners, which will support a load of 750 lbs. each, to attach A/C crossbar strap to structure.
  - ③ Secure A/C crossbar strap to location specified on application drawings.
  - ④ Feed aircraft cable through center hole in canopy, align the mounting hole in canopy with A/C crossbar strap. Use a #6 x 3/8 in. screw (provided) to secure canopy to mounting plate.
- Fixture Attachment
- ⑤ Support fixture sections just above the installed level. Insert free end of aircraft cable into fixture aircraft cable adjuster. After cables have been secured, carefully lower fixture until supported by cable.

**ATTENTION**  
 INSTALL IN ACCORDANCE TO NATIONAL AND LOCAL ELECTRICAL CODES AND BUILDING CODES.

**ATTENTION**  
 REFER TO ASSOCIATED INSTALLATION INSTRUCTIONS TO COMPLETE INSTALLATION (EG. LEVELING, JOINING, POWERED AND NON POWERED MOUNTS.)

## Installation Instructions



- ① Install an Iberville #54151-K octagonal box or equivalent. Slip strain relief bushing over one end of 18 gauge SVT power cord, approximately one inch and crimp. Make power and ground connections in octagonal box.
- ② Thread aircraft cable through A/C crossbar strap.
- ③ Select appropriate fasteners, which will support a load of 750 lbs. each, to attach A/C crossbar strap to the structure.
- ④ Feed power cord through hole in A/C crossbar strap. Secure A/C crossbar strap to location specified on application drawings.
- ⑤ Snap bushing (provided) into canopy power supply hole and feed power cord through. Feed aircraft cable through center hole in canopy. Bring the canopy up to ceiling level, align the mounting hole in canopy with A/C crossbar strap. Use #6 x 3/8 in. screw (provided) to secure canopy to A/C crossbar strap.
- ⑥ Support fixture sections just above the installed level. Insert free end of aircraft cable into fixture aircraft cable adjuster. After cables have been secured, carefully lower fixture until supported by cable.

Mount Installation

Fixture Attachment

**ATTENTION**  
 INSTALL IN ACCORDANCE TO NATIONAL AND LOCAL ELECTRICAL CODES AND BUILDING CODES.

**ATTENTION**  
 REFER TO ASSOCIATED INSTALLATION INSTRUCTIONS TO COMPLETE INSTALLATION (EG. LEVELING, JOINING, POWERED AND NON POWERED MOUNTS.)

**ATTENTION:**  
 PHILIPS LEDALITE RECOMMENDS THAT A/C CROSSBAR STRAPS BE MOUNTED TO SUPPORTING STRUCTURE TO ENSURE COMPLIANCE WITH LOCAL ELECTRICAL CODE



**LEDALITE**

# Installation Documentation

# ID-A2

## A2 CABLE MOUNT Support Connection Above Ceiling

Instructions included with this package:

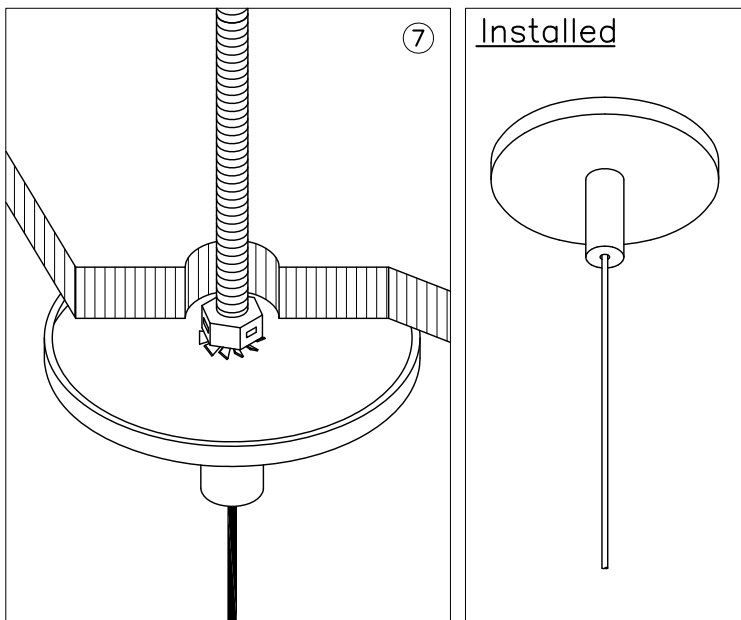
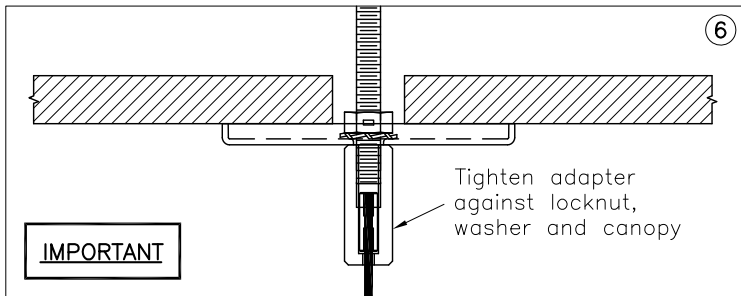
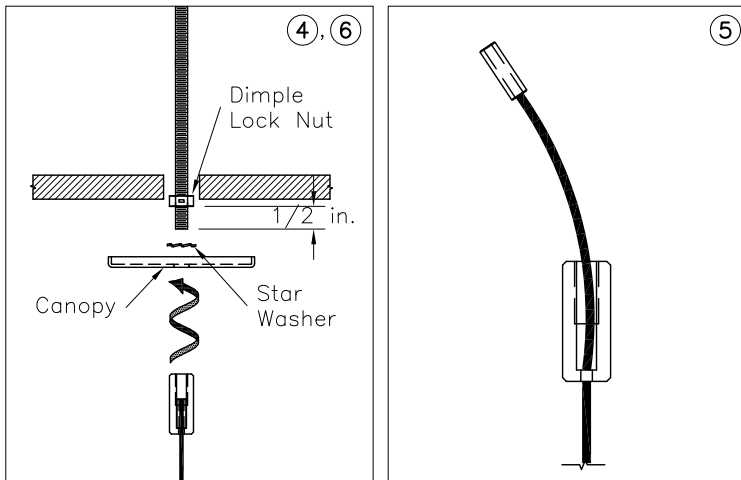
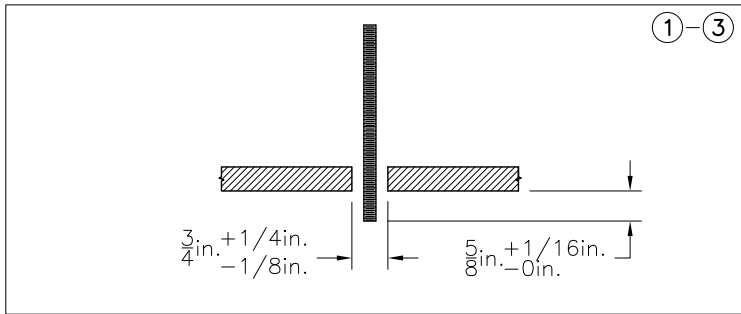
| <b>Document</b> | <b>Description</b>                           |
|-----------------|--|
| A2-CP0          | A2 Cable Mounting Installation without Power |
| A2-CP1,2        | A2 Cable Mounting Installation with Power    |

**PLEASE RETAIN PACKAGE FOR FUTURE REFERENCE**



These Installation Instructions cover non-seismic mounting requirements.

Reference drawing No. 300ZA26



## Installation Instructions

- Secure 1/4"-20 threaded rod (supplied by others) to the substructure, directly above specified mount location. (see layout drawings)  
**Note:** Recommend using a minimum A36 steel 1/4"-20 threaded rod.

**ATTENTION**

THE 1/4"-20 READY ROD WHICH IS ATTACHED TO THE SUBSTRUCTURE MUST SAFELY SUPPORT AN AXIAL LOAD OF 1500 LBS.

- Important:** The free end of the threaded rod must be located at approximately 5/8" below ceiling level.
- Drill a 3/4 in. dia hole in ceiling tile at the specified mount location using a hole saw.
- Thread locknut onto threaded rod until bottom of nut is 9/16" above free end of rod.
- Insert the aircraft cable through the 1/4"-20 crimp adapter.
- In this sequence, slide the star washer and canopy onto 1/4"-20 ready rod, and begin tightening the 1/4"-20 crimp adapter.

**IMPORTANT**

ENSURE THAT THE 1/4"-20 CRIMP ADAPTER IS TIGHTENED SECURELY AGAINST LOCKNUT, STAR WASHER, AND CANOPY.

- Support fixture sections just above the installed level. Insert free end of aircraft cable into fixture aircraft cable adjuster. After cables have been secured, carefully lower fixture until supported by cable.

**ATTENTION**

INSTALL IN ACCORDANCE TO NATIONAL AND LOCAL ELECTRICAL CODES AND BUILDING CODES.

**ATTENTION**

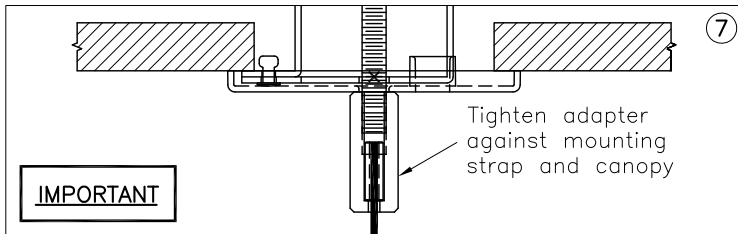
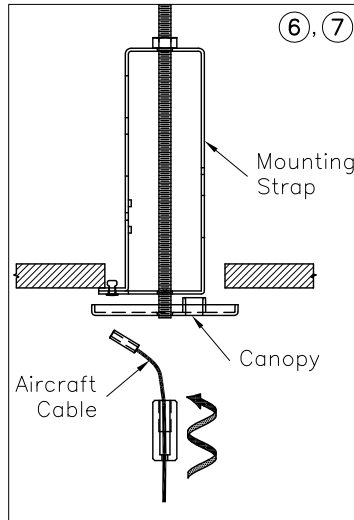
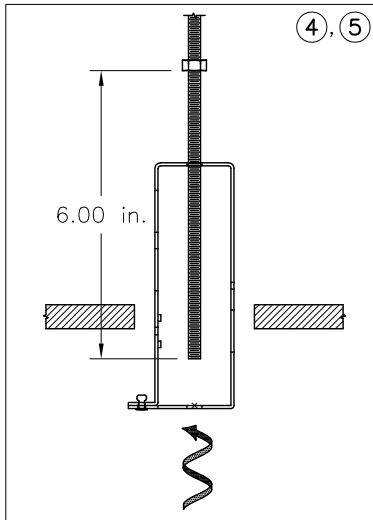
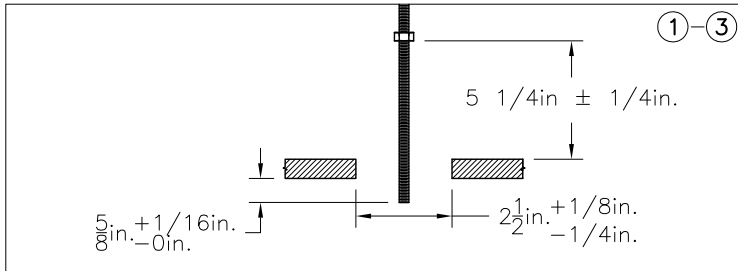
REFER TO ASSOCIATED INSTALLATION INSTRUCTIONS TO COMPLETE INSTALLATION (EG. LEVELING, JOINING, POWERED AND NON POWERED MOUNTS.)

Mount Installation

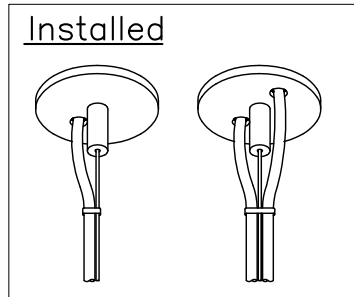
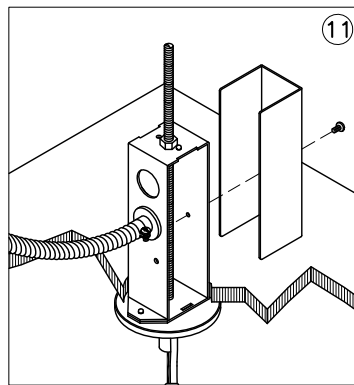
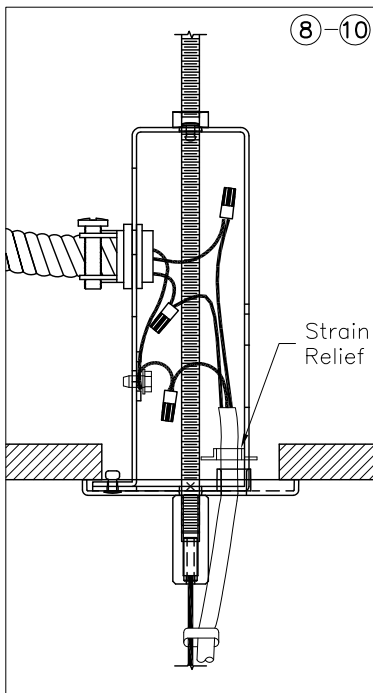
Fixture Attachment

These Installation Instructions cover non-seismic mounting requirements.

Reference drawing No. 300ZA32



**IMPORTANT**



## Installation Instructions

- Secure 1/4"-20 threaded rod (supplied by others) to the substructure, directly above specified mount location. (see layout drawings)  
**Note:** Recommend using a minimum A36 steel 1/4"-20 threaded rod.

**ATTENTION**  
THE 1/4"-20 READY ROD WHICH IS ATTACHED TO THE SUBSTRUCTURE MUST SAFELY SUPPORT AN AXIAL LOAD OF 1500 LBS.

- Important:** The free end of the threaded rod must be located approximately 5/8" below ceiling level.
- Drill a 2-1/2 in. dia hole in ceiling tile at the specified mount location using a hole saw.
- Thread one of the 1/4"-20 nuts (provided) onto the threaded rod to at least 6" above the free end of the rod.
- Spin mount onto threaded rod until tabs contact ceiling tile.
- Insert the aircraft cable through the 1/4"-20 crimp adapter.
- Slide canopy onto 1/4"-20 threaded rod, and begin tightening the 1/4"-20 crimp adapter.

**IMPORTANT**  
ENSURE THAT THE 1/4"-20 CRIMP ADAPTER IS TIGHTENED SECURELY AGAINST THE MOUNTING STRAP AND CANOPY.

- Support fixture sections just above the installed level. Insert free end of aircraft cable into fixture aircraft cable adjuster. After cables have been secured, carefully lower fixture until supported by cable.
- Access the mount from above, through an adjacent tile, and screw mount further on to threaded rod so the canopy is again in contact with ceiling tile after any settling. Lock mount in place by tightening the 1/4"-20 nut down onto the top of the mount.

- Connect power cable to ground screw provided. Pass fixture power cord (provided) through canopy power hole(s) and bushing(s), crimp metal strain relief(s) onto cord(s) above canopy. Make appropriate power connections.

- Attach J-box cover using screw provided.

**ATTENTION**  
INSTALL IN ACCORDANCE TO NATIONAL AND LOCAL ELECTRICAL CODES AND BUILDING CODES.

**ATTENTION**  
REFER TO ASSOCIATED INSTALLATION INSTRUCTIONS TO COMPLETE INSTALLATION (EG. LEVELING, JOINING, POWERED AND NON POWERED MOUNTS.)



**LEDALITE**

# Installation Documentation

# ID-A3

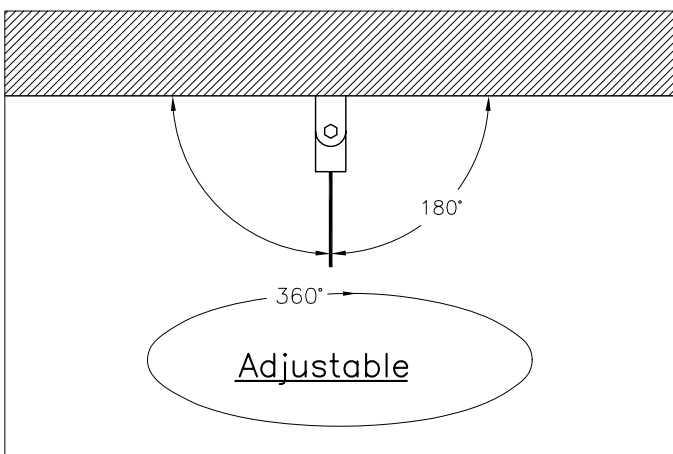
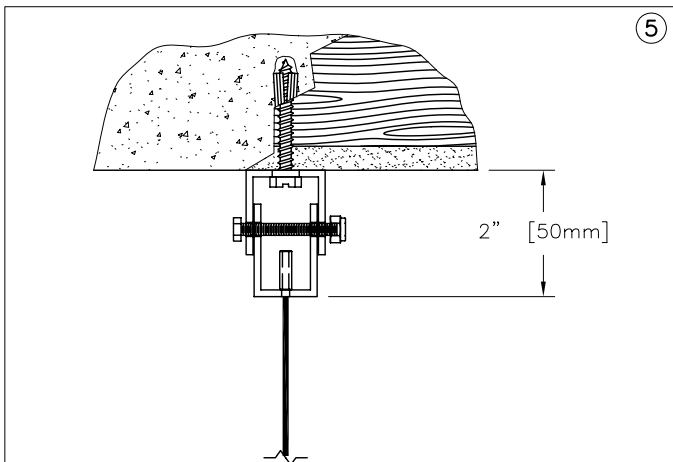
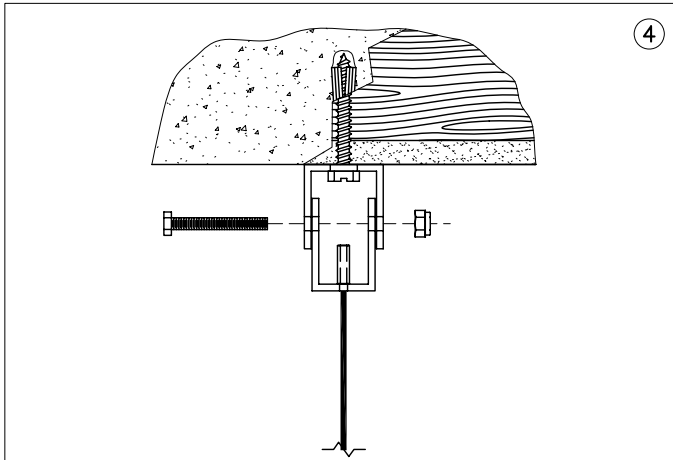
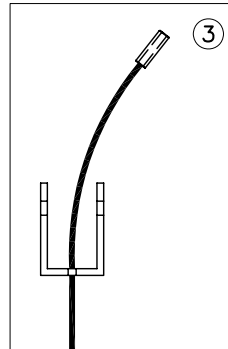
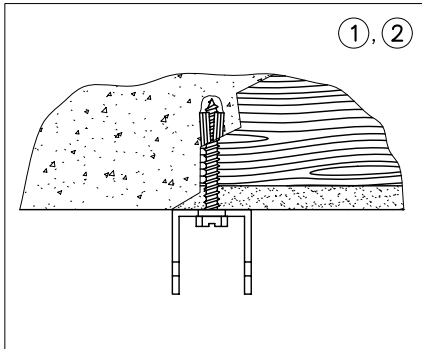
## **A3 CABLE MOUNT Support Connection to Structure Above**

Instructions included with this package:

| <b>Document</b> | <b>Description</b>                           |
|-----------------|--|
| A3-BP0          | A3 Cable Mounting Installation without Power |
| A3-P1/P2        | A3 Cable Mounting Installation with Power    |

**PLEASE RETAIN PACKAGE FOR FUTURE REFERENCE**





**Installation Instructions**

- ① Select an appropriate fastener which will support a load of 1500 lbs. And accommodate a 3/8" dia hole to attach bracket to structure.
- ② Secure bolt bracket to structure at location specified on application drawings.
- ③ Thread aircraft cable through crimp bracket.

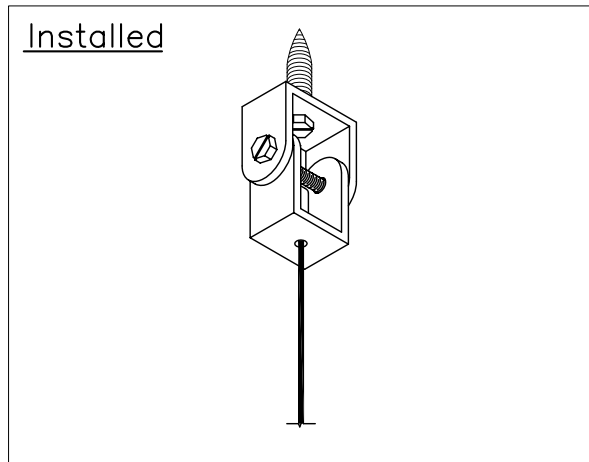
Mount Installation

**ATTENTION**  
THE FASTENER WHICH IS ATTACHED TO THE STRUCTURE MUST SAFELY SUPPORT A LOAD OF 1500 LBS.

- ④ Connect crimp bracket to bolt bracket using #10-32 x 1-1/2" bolt and nut supplied with mount.
- ⑤ Support fixture sections just above the installed level. Insert free end of aircraft cable into fixture's aircraft cable adjuster. After cables have been secured, carefully lower fixture until supported by cable.

Fixture Attachment

**Installed**



**ATTENTION**  
INSTALL IN ACCORDANCE TO NATIONAL AND LOCAL ELECTRICAL CODES AND BUILDING CODES.

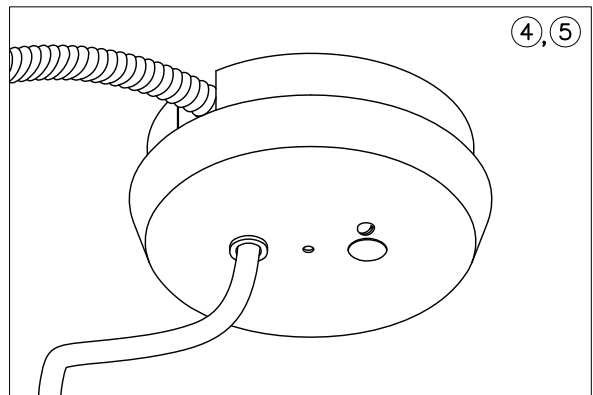
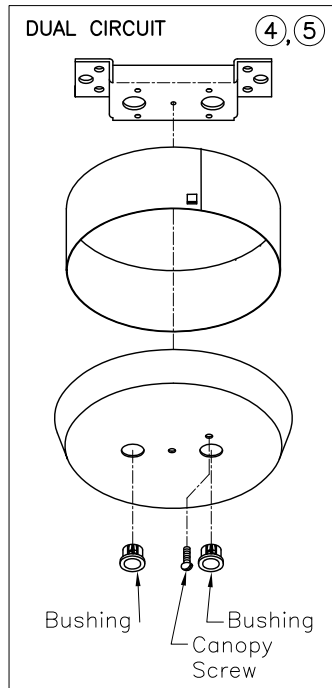
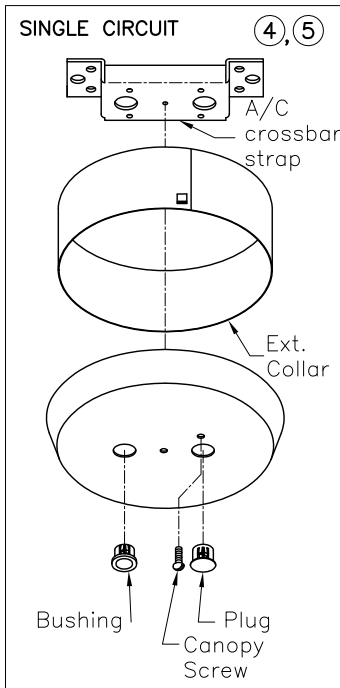
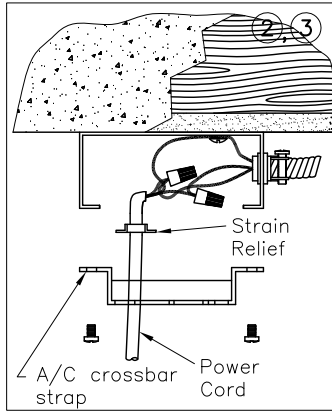
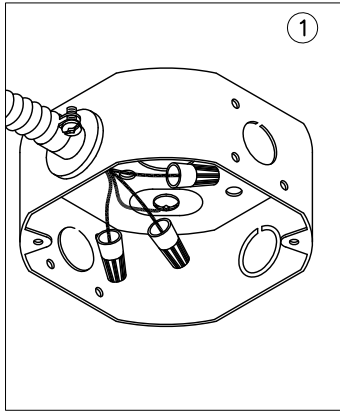
**ATTENTION**  
REFER TO ASSOCIATED INSTALLATION INSTRUCTIONS TO COMPLETE INSTALLATION (EG. LEVELING, JOINING, POWERED AND NON POWERED MOUNTS.)



Reference drawing No. 300zu30

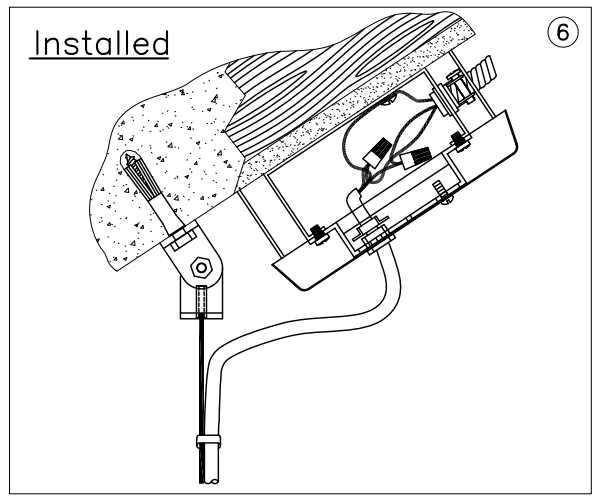
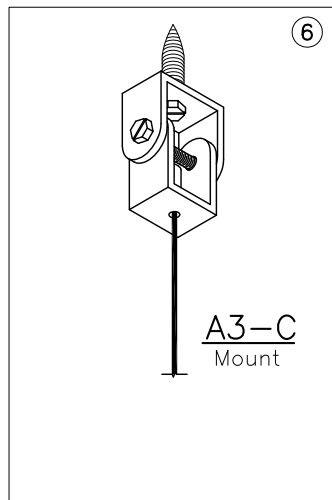
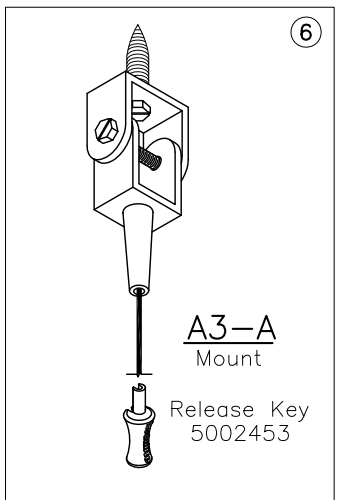
**Installation Instructions**

- ① Secure an Iberville 1-1/2" deep octagonal box (part #54151-K) or equivalent 1" to 6" from the mounting location.
- ② Slip strain relief bushing over prestripped power cord approximately 1" from end of jacket and crimp it. Complete power and ground connections in octagonal box.
- ③ Feed power cord through hole in A/C crossbar strap and secure A/C crossbar strap to octagonal box.
- ④ For one power, snap one bushing and plug into canopy power holes. For two power, snap both bushings into canopy power holes.
- ⑤ Feed power cord through canopy extension collar then through power hole(s) in canopy. Bring the canopy up to ceiling level, align mounting hole in canopy with that of A/C crossbar strap and use the supplied #6 x 3/8" screw to secure canopy to A/C crossbar strap.
- ⑥ Install the A3-A or A3-C mount to the location specified on application drawings according to installation instructions labeled A3-AP0 or A3-CP0.



**ATTENTION**  
REFER TO ASSOCIATED INSTALLATION INSTRUCTIONS TO COMPLETE INSTALLATION (EG. LEVELING, JOINING, POWERED AND NON POWERED MOUNTS.)

**ATTENTION**  
INSTALL IN ACCORDANCE TO NATIONAL AND LOCAL ELECTRICAL CODES AND BUILDING CODES.





**LEDALITE**

# Installation Documentation

# ID-A5

## **A5 CABLE MOUNT Support Connection Above T-Bar Ceiling**

Instructions included with this package:

| <b>Document</b> | <b>Description</b>                                |
|-----------------|---|
| A5-CP0,1,2      | A5 Cable Mounting Installation with/without Power |

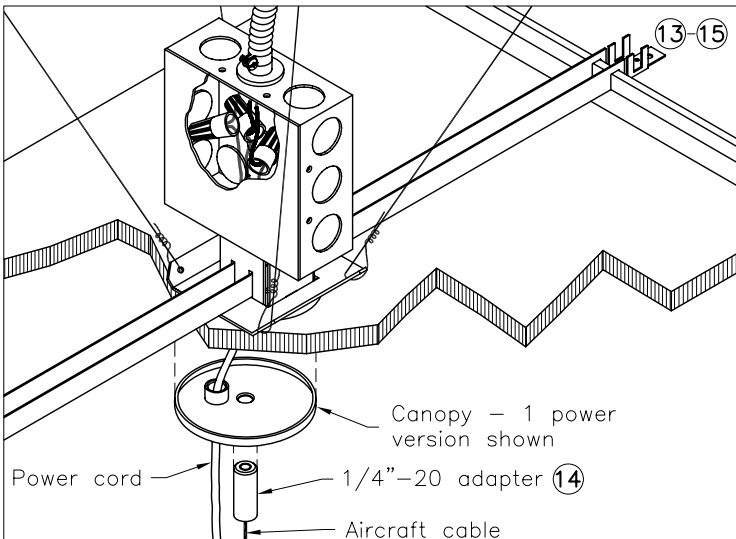
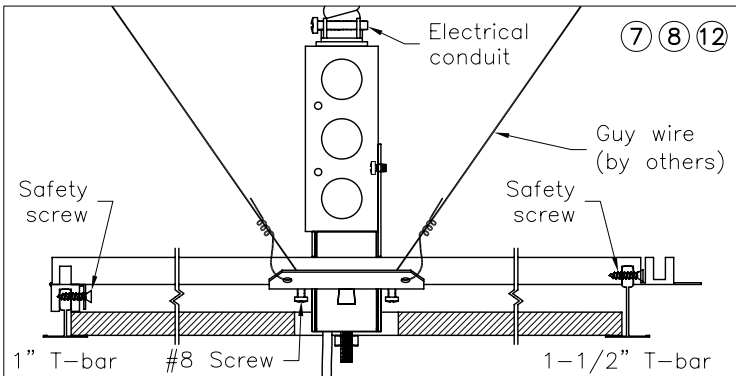
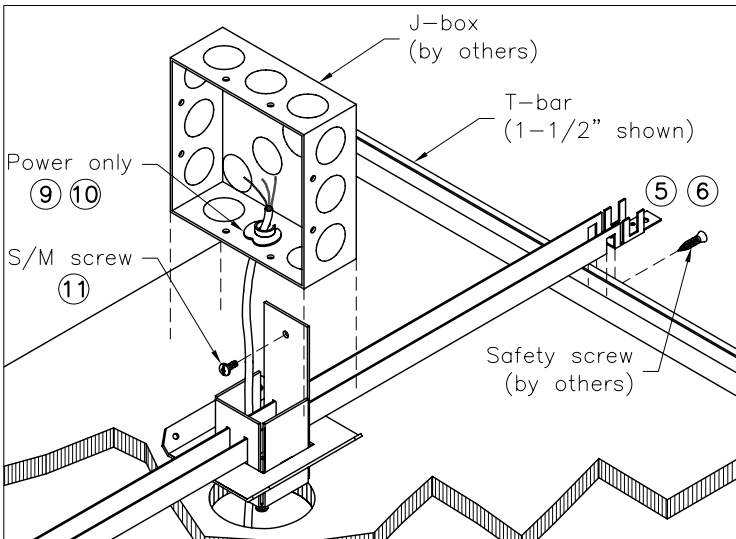
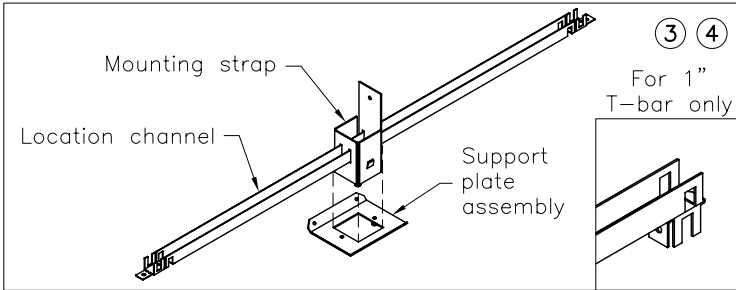
**PLEASE RETAIN PACKAGE FOR FUTURE REFERENCE**



These installation instructions cover seismic requirements – UBC seismic Zone 4.0 with I=1.5.

Reference drawing No.300ZA57-9

## INSTALLATION INSTRUCTIONS



Mount Installation

Power Connection

Canopy Attachment

Fixture Installation

- ① Attach four 12 gauge steel guy wires (by others) to substructure above. Guy wires should be angled at approximately 45° or less off the horizontal. Do not tie off loose ends until step ②.
- ② Drill a 2-1/4 inch diameter hole in ceiling tile at desired mount location using a hole saw. Ensure center of hole is minimum 2 inches away from edge of t-bar.  
**Note:** This mounting system is designed to work with 1 inch and/or 1-1/2 inch t-bar systems. Determine specific application and follow appropriate instructions in step ③.
- ③ For 1 inch T-bar slide location channel through mounting strap, and fold tabs of location channel as shown.
- ③ For 1-1/2 inch T-bar slide location channel through mounting strap, and use location channel as shipped.
- ④ Snap support plate assembly past mounting strap tabs to bottom of location channel.
- ⑤ Through an adjacent tile, place mounting assembly over 2-1/4 inch diameter hole and adjust mounting strap to desired position. Once strap is aligned with mounting location, snap assembly to t-bar.
- ⑥ To secure location channel, screw a self-tapping metal screw (supplied by others) into t-bar at each end.

**IMPORTANT**  
LOCATION CHANNEL IS DESIGNED TO LOCATE MOUNTING POINT, NOT TO SUPPORT FIXTURE.

- ⑦ From below installed mount, tighten the two #8 sheet metal screws, to bind location channel, mounting strap and support plate together.
- ⑧ **IMPORTANT:** Attach guy wires installed in step ① to support plate by threading free ends through corner holes and tightly wrapping wires around themselves a minimum of four turns.

For Power Versions Only:

- ⑨ Assemble j-box, strain relief connector, and power cord.
- ⑩ Feed power cord through mounting strap hole(s).
- ⑪ Fasten j-box assembly to mounting strap using a self-tapping sheet metal screw. (supplied by others)
- ⑫ Connect electrical conduit to j-box and make required electrical connections.
- ⑬ Insert and feed power cord through canopy hole(s).
- ⑭ Insert crimped end of aircraft cable through the 1/4"-20 adapter.
- ⑮ Secure canopy to mounting strap by threading the 1/4"-20 adapter onto mounting strap 1/4"-20 stud.  
**IMPORTANT:** Fully tighten the 1/4"-20 adapter against mounting strap hex nut.
- ⑯ Support fixture sections just above the installed level. Insert free end of aircraft cable into fixture aircraft cable adjuster. After cable has been secured, carefully lower fixture until supported by cable.
- ⑰ If applicable, make appropriate power connections at fixture level.

**ATTENTION**  
INSTALL IN ACCORDANCE TO NATIONAL AND LOCAL ELECTRICAL CODES AND BUILDING CODES.



**LEDALITE**

# Installation Documentation

# ID-A6

## A6 CABLE MOUNT T-Bar Ceiling Mount

Instructions included with this package:

| <b>Document</b> | <b>Description</b> |
|-----------------|--------------------|
| A6 – P0, P1     | A6 Mounting System |

**PLEASE RETAIN PACKAGE FOR FUTURE REFERENCE**



*This mounting system is available for 1", 9/16", or 9/16" x 5/16" screw-slot t-bar grid systems.*

**IMPORTANT: Mounting system will support a MAXIMUM 65 lbs. LOAD.**

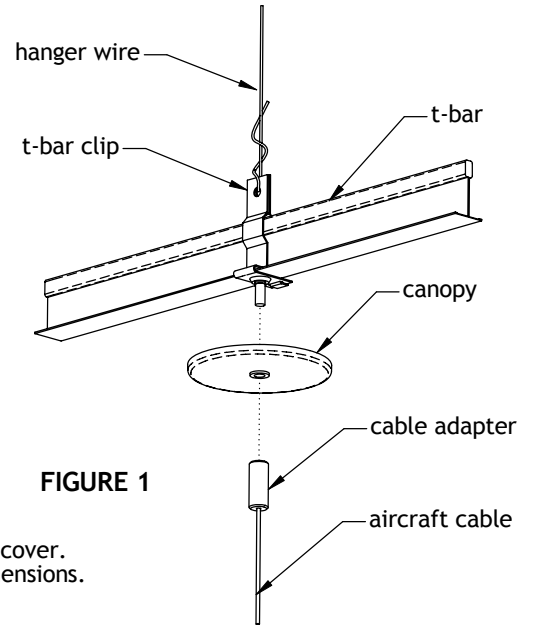
**NOTE:** Power mount requires use of a 4" square electrical junction box (contractor supplied).

**NON-POWER MOUNT (Refer to Figure 1)**

- 1) Remove ceiling tiles at mount location.
- 2) Disassemble t-bar clip and lock into place around t-bar.
- 3) Secure t-bar clip to structure above using an approved hanger wire.
- 4) Slide the canopy overtop the t-bar clip bolt, then thread the aircraft cable and adapter onto the bolt. Fully tighten the cable adapter.
- 5) Replace ceiling tiles.

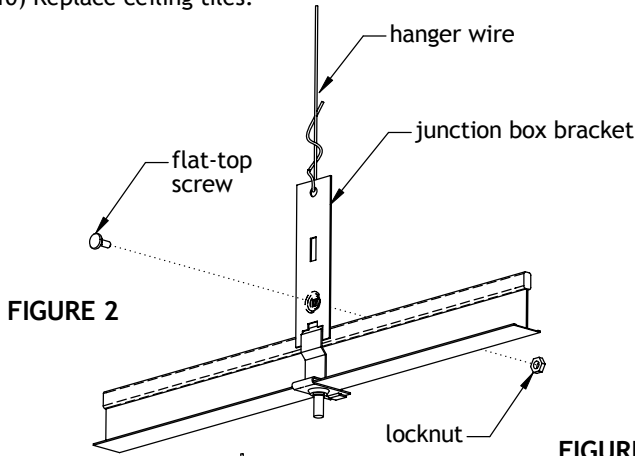
**POWER MOUNT (Refer to Figures 2 to 6)**

- 1) Remove ceiling tiles at mount location.
- 2) Disassemble t-bar clip and lock into place around t-bar.
- 3) Secure junction box bracket to t-bar clip using flat-top screw and locknut.
- 4) Attach an approved hanger wire from structure above to junction box bracket.
- 5) Attach junction box to bracket using flat-top screw and locknut. Junction box should be oriented with three knockouts facing down.
- 6) Attach flex-conduit connector to center knockout in bottom of junction box.
- 7) Slide canopy over the t-bar clip bolt, then thread the aircraft cable and adapter onto the bolt. Fully tighten the cable adapter.
- 8) Install power cord, make required electrical connections, and install junction box cover.
- 9) Notch ceiling tile to clear the flex-conduit connector. See Figure 6 for cutting dimensions.
- 10) Replace ceiling tiles.

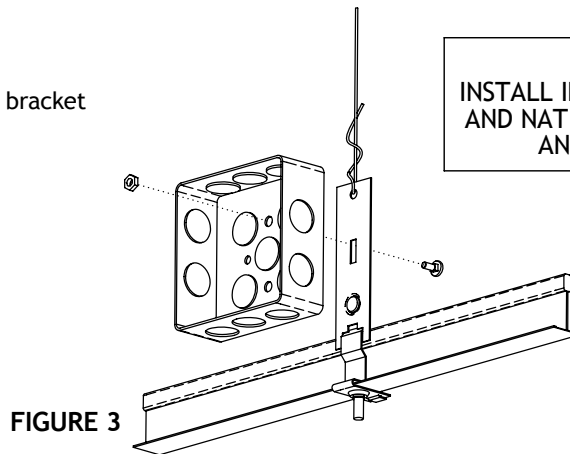


**FIGURE 1**

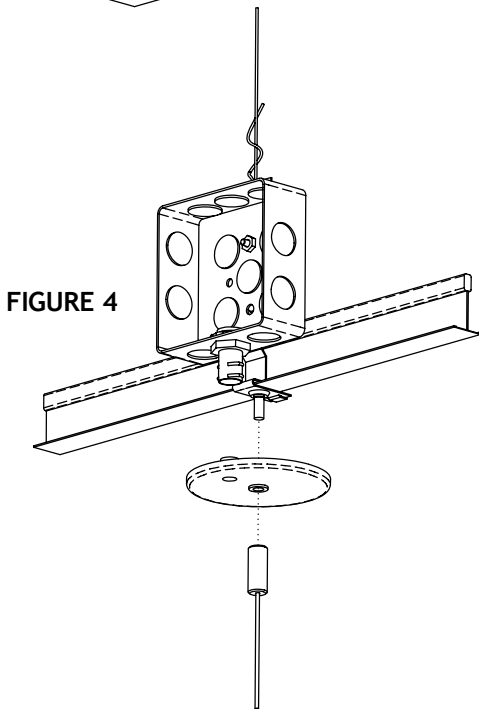
**ATTENTION:**  
INSTALL IN ACCORDANCE TO LOCAL  
AND NATIONAL ELECTRICAL CODES  
AND BUILDING CODES.



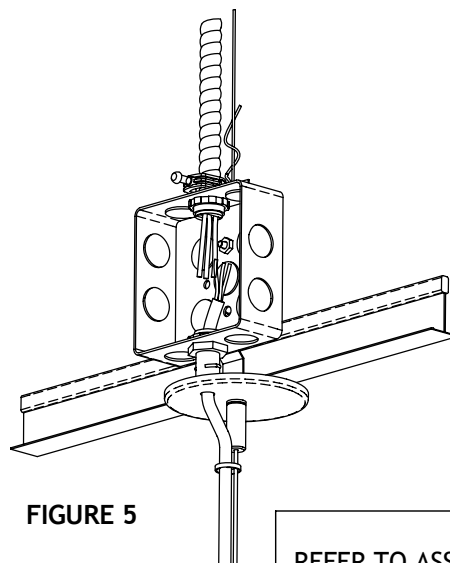
**FIGURE 2**



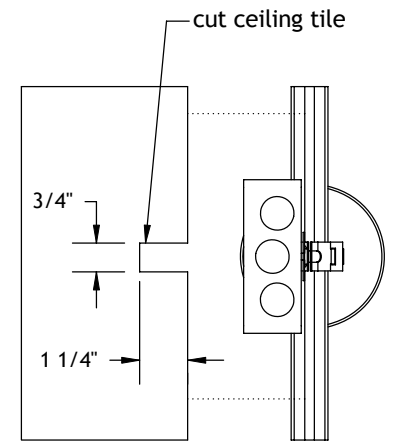
**FIGURE 3**



**FIGURE 4**



**FIGURE 5**



**FIGURE 6**

**NOTE:**  
REFER TO ASSOCIATED INSTALLATION INSTRUCTIONS TO  
COMPLETE FIXTURE INSTALLATION (JOINING, LEVELING).