

IS-LLAVRM-LE ALCYON LED VERTICAL CYLINDER RECESSED LIGHTING LIGHT ENGINE

Read and understand these instructions before installing luminaire.

This luminaire is intended for installation in accordance with the National Electrical Code and Local Regulations. To assure full compliance with local codes and regulations, check with your electrical inspector before installation. To prevent electrical shock, turn off electricity at fuse box before proceeding.

Retain these instructions for maintenance reference.

CAUTION: (RISK OF FIRE) DO NOT INSTALL INSULATION WITHIN 3 INCHES OF FIXTURE SIDES OR WIRING COMPARTMENT, NOR ABOVE FIXTURE IN SUCH A MANNER THAT ENTRAPS HEAT.

Items needed for installation:

1. Phillips head screwdriver
2. LLAVRM FIK series installed and LLAVRM LE series

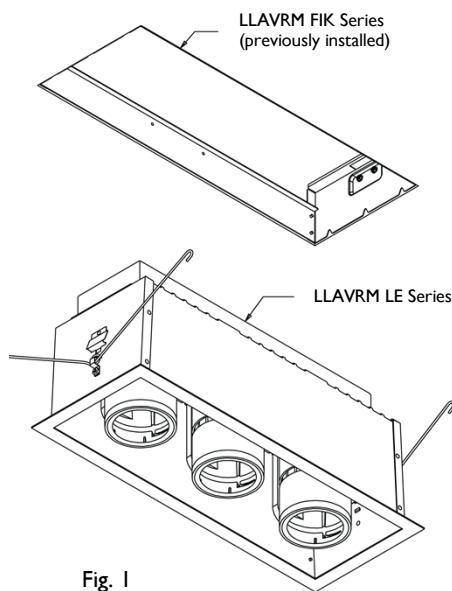


Fig. 1

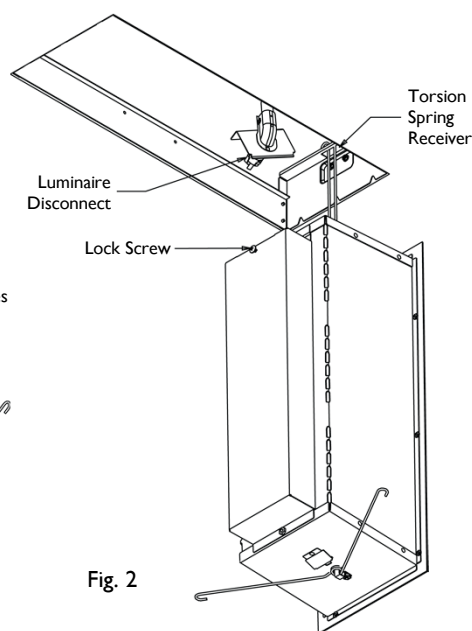


Fig. 2

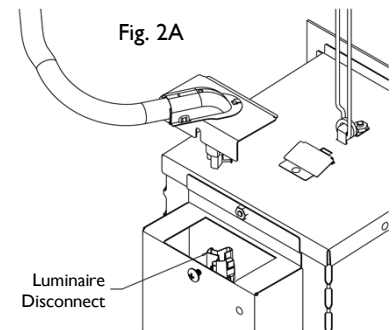


Fig. 2A

Fig. 2B

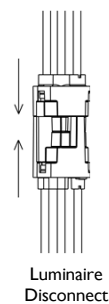
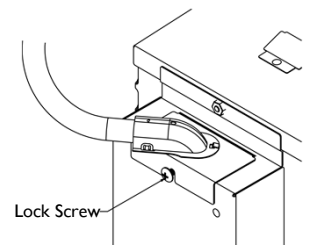


Fig. 2C



Step 1:

Make sure LLAVRM FIK Series has been installed properly (reference IS: LLAVRM FIK) Fig.1.

Step 2:

Visually locate Luminaire Disconnect on LLAVRM LE Series and LLAVRM FIK Series (Fig. 2A). Insert Torsion Spring nearest to Luminaire Disconnect from both LLAVRM LE Series and LLAVRM FIK Series into the Torsion Spring Receiver. Let LLAVRM LE hang temporarily to complete the following steps.

Step 3:

To complete the electrical connection, Luminaire Disconnect from LLAVRM LE Series and LLAVRM FIK Series must be plugged together. Make sure Luminaire Disconnect is pushed in all the way (Fig 2B). 2000lm series Luminaire Disconnect looks different from the diagram above.

Step 4:

Attach cover from LLAVRM FIK Series to LLAVRM LE Series and secure it with Lock Screw (Fig. 2C).

REV. A

IS-LLAVRM-LE ALCYON LED VERTICAL CYLINDER RECESSED LIGHTING LIGHT ENGINE

Step 5:

Once LLAVRM FIK Series and LLAVRM LE Series are electrically connected, swing up housing to attach the other Torsion Spring to the Torsion Spring Receiver on the opposite side (Fig. 3). To ease the process, align everything and push into ceiling gently (Fig. 4). There are Safety Springs on each end of the housing that will snap over edge of FIK when housing is fully inserted.

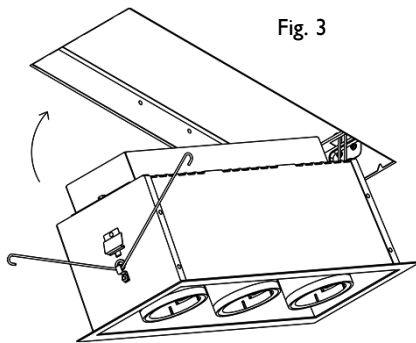


Fig. 3

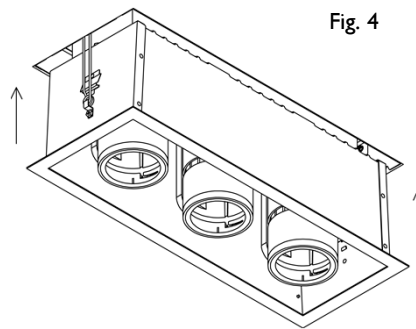


Fig. 4

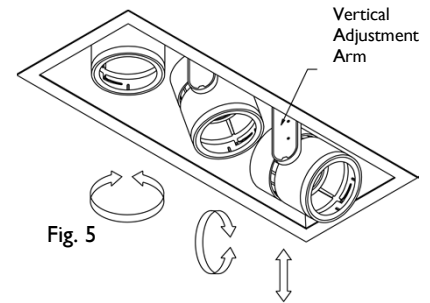


Fig. 5

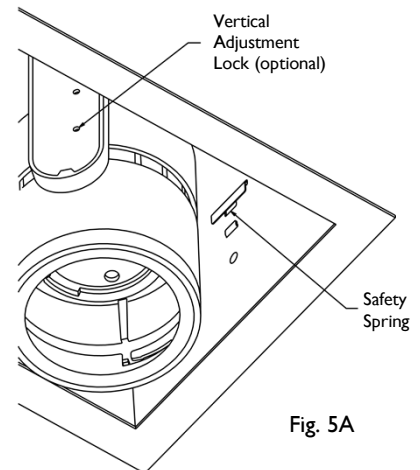


Fig. 5A

Note: Safety Springs must be flush to the inner walls to indicate the springs have engaged properly (Fig. 5A).

Step 6:

Each LED head offers tool-less aiming with 360° horizontal rotation, 180° vertical tilt and a pull down adjustment from flush recessed to semi-recessed for optimal performance. There are mechanical stops. Do not force past stops.

Optional: If no vertical height adjustment of the LED head is desired – adjust head all the way up and insert 1/4" #4 screw (local hardware item) into lowest hole of Vertical Adjustment Lock. Use upper hole of Vertical Adjustment Lock for allowing it to be pulled down halfway.

* To remove LLAVRM LE Series from LLAVRM FIK Series, Safety Springs must be pried out of place. Use a flat head screwdriver to put it through a small rectangular window, and pry it towards the LED head while gently pulling down on LLAVRM LE Series. Do this at one end first and pull down approximately 1-2" before pulling down opposite end (Fig. 5A).

Installing Reflector

Reflector sold separately

Remove Aperture Housing from Heat Sink by rotating Aperture Housing counter clockwise. Place Reflector against Reflector Holder, rotate Reflector clockwise until it locks into holder. Place Aperture Housing against Heat Sink, rotate clockwise to lock into Heat Sink. Fig. 6

Reflector Compatibility

LLAV1 IR Series for LLAV01 and LLAV11 fixtures.
LLAV12R Series for LLAV12 fixtures.

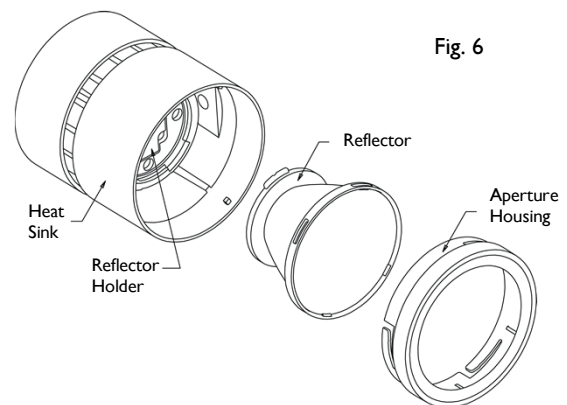
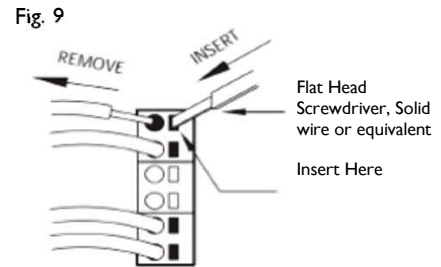
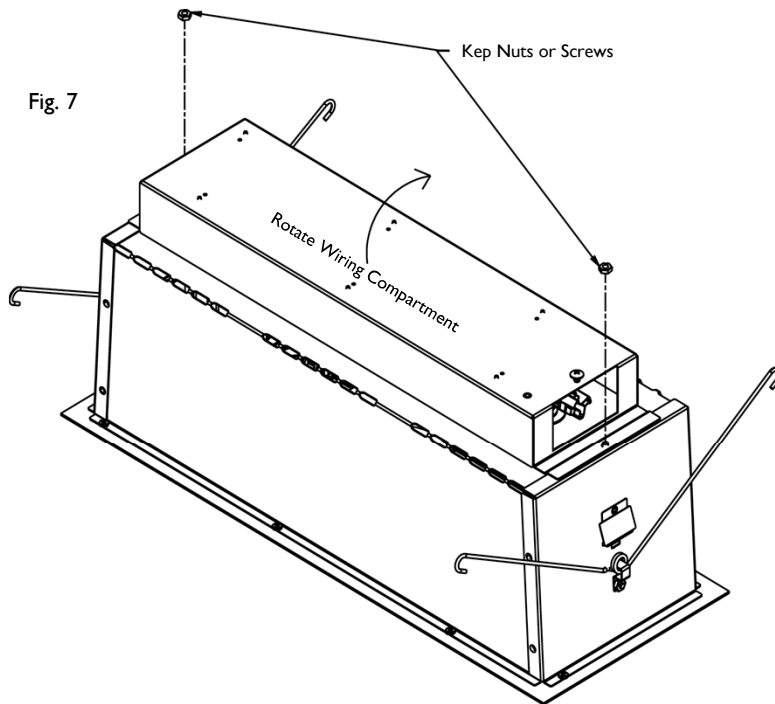


Fig. 6

REV. A

IS-LLAVRM-LE ALCYON LED VERTICAL CYLINDER RECESSED LIGHTING LIGHT ENGINE

To remove LLAVRM LE Series from LLAVRM FIK Series, Safety Springs must be pried out of place. Use a flat head screwdriver to put it through a small rectangular window, and pry it towards the LED head while gently pulling down on LLAVRM LE Series. Do this at one end first and pull down approximately 1-2" before pulling down opposite end (Fig. 5A, Page 2). Afterwards, perform steps 2-5 in reverse to remove LLARVRM LE Series completely.

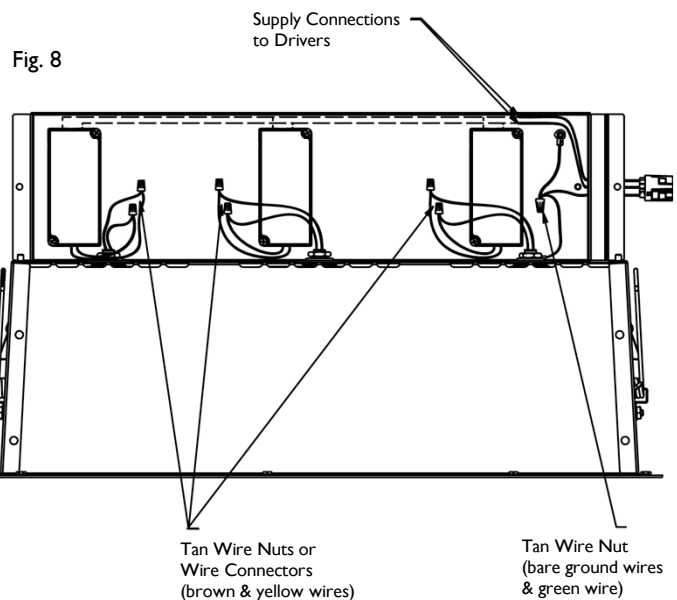


Place LLAVRM LE Series assembly face down on a clean work surface. Make sure heads are fully recessed so no damage occurs. Remove the two keps (10W/18W) or screws (32W) as shown in Fig. 7 to allow wiring compartment to separate from housing.

Gently rotate wiring compartment into the position shown in Fig. 8. Locate the driver that needs replacement, **make a note** of the wiring and hardware configuration, and then remove any wire nuts and screws (10W/18W) or inserted wires and keps (32W) secured to the driver. Inserted wires on the back of 32W fixture drivers will need a small flathead screwdriver, solid wire or equivalent tool to release inserted wires from driver (Fig. 9).

Installation of the drivers and wiring compartment are the reverse of removal. Secure replacement driver and ensure that all wires are connected as they originally were with original hardware. Place wiring compartment back in original position, making sure no wires are pinched around edge of wiring compartment. Secure wiring compartment with original hardware.

Re-install LLAVRM LE starting at Step 1 on Page 1 in this instruction sheet.



REV. A



© 2014 Koninklijke Philips N.V. All rights reserved.
Specifications are subject to change without notice.
www.philips.com/luminaires

IS-LLAVRM-LE 02/14 page 3 of 3

Philips Lighting
North America Corporation
200 Franklin Square Drive
Somerset, NJ 08873
Phone: 855-486-2216

Philips Lighting Company
281 Hillmount Road
Markham ON, Canada L6C 2S3
Phone: 800-668-9008