



INSTALLATION

WARNINGS AND INSTRUCTIONS FOR LUMINAIRES

IMPORTANT: FOR YOUR PROTECTION, YOU MUST CAREFULLY READ ALL WARNINGS AND INSTRUCTIONS IN THEIR ENTIRETY PRIOR TO INSTALLATION, OPERATION, SERVICE OR MAINTENANCE. FAILURE TO DO SO CAN RESULT IN DEATH, PERSONAL INJURY AND PROPERTY DAMAGE. If you do not understand these warnings and instructions, or if additional information is desired, please contact the Customer Care Call Center at 800-555-0050.

- Installation, service and maintenance of luminaires must be performed by a qualified professional and in accordance with all federal, state and local laws, regulations and electrical codes. This professional should be familiar with the construction and operation of this product and any hazards involved. If not qualified, do not attempt installation, service or maintenance.
- To reduce the risk of death, personal injury or property damage from fire, electric shock, falling parts, cuts, abrasions and other hazards, please read all warnings and instructions included with the luminaire, on the luminaire's packaging and affixed to the luminaire itself.
- Maintenance of the luminaires should be performed by person(s) familiar with the luminaire's construction and operation and any hazards involved.



WARNING

RISK OF FIRE, ELECTRIC SHOCK OR PERSONAL INJURY

- Disconnect or turn off power before attempting any installation, service or maintenance.
- Verify that supply voltage is correct by referencing the luminaire label information.
- Make all electrical and ground connections in accordance with the National Electrical Code (NEC) and any other applicable laws, regulations or codes.
- All wiring connections should be capped with UL-approved wire connectors.



WARNING

RISK OF PERSONAL INJURY

- Wear gloves and safety glasses at all times when removing luminaire from carton, installing, servicing or performing maintenance.
- Avoid direct eye exposure to the light source while it is on.



WARNING

RISK OF FIRE OR PERSONAL INJURY

- Keep combustible materials away from LED/lamp & lens.
- Do not operate in close proximity to persons, combustible materials or substances affected by heat or drying.



WARNING

RISK OF FIRE, ELECTRIC SHOCK OR PERSONAL INJURY

- Allow LED/lamp & lens to cool before handling.
- Do not touch enclosure or light source.
- Do not exceed maximum wattage marked on luminaire label.
- Follow all manufacturer's warnings, recommendations, instructions and restrictions for driver type, burning position, mounting locations and replacement.



CAUTION

RISK OF PRODUCT DAMAGE

- Never connect luminaires and/or components under load with supply voltage turned on.
 - Do not mount or support these luminaires in a manner that can cut the outer jacket or damage wire insulation.
 - Do not restrict fixture ventilation. Allow for some volume of airspace around luminaire. Avoid covering luminaire with insulation, foam or other material that will prevent convection or conduction cooling.
 - Do not exceed luminaire maximum ambient temperature.
 - Do not modify the luminaire.
 - Only use luminaire in its intended application and location.
 - LED products are polarity sensitive. Ensure proper polarity before installation.
 - Electrostatic Discharge (ESD) can damage LED. Personal grounding equipment must be worn during all installation and servicing of the luminaire.
 - Do not touch individual electrical components as this can cause ESD, shorten LED life, or impact LED performance.
- Some components inside the luminaire may not be serviceable. In the unlikely event your luminaire may require service, stop using it immediately and contact the Customer Care Call Center at 800-555-0050.
- Always read the luminaire's complete installation instructions prior to installation for any additional luminaire specific warnings.
 - In the case of HID or Fluorescent luminaires, regular re-lamping is required to keep luminaire operating within safe limits
 - **Do not install damaged product.** Handling and installing damaged products can potentially increase the risks mentioned. In case of damage and/or missing parts upon arrival of the luminaire, please contact the Customer Care Call Center at 800-555-0050.
 - These instructions do not purport to cover all details or variations in equipment nor to provide every possible contingency to meet in connection with installation, operation or maintenance. Should further information be desired or should particular problems arise which are not covered sufficiently for the purchaser's or owner's purposes, this matter should be referred to the Customer Care Call Center at 800-555-0050.
 - Please see luminaire specific Installation and Maintenance Instruction for additional warnings or any applicable FCC or regulatory statements. Failure to follow any of these instructions could void luminaire warranties.

Luminaire Maintenance

- Regular luminaire maintenance programs are recommended.
- It is recommended to clean the outside of the luminaire and the refractor/lens.
- Frequency of cleaning will depend on ambient dirt level and minimum light output which is acceptable to user.
- If clean water is not sufficient for cleaning, use a neutral, synthetic, non-scratching and non-abrasive cleaning substance.
- Never use alkaline and/or acetous cleaning substances.
- Make sure that the cleaning substance is carefully removed by rinsing with lots of clean water.
- Signify recommends using a cleaning solution that has a PH between 5 and 8.
- Recycle: For information on how to recycle electronic products and components, please visit www.epa.gov.

SolarForm Solar Lighting Installation Instructions

Precautions & Warnings:

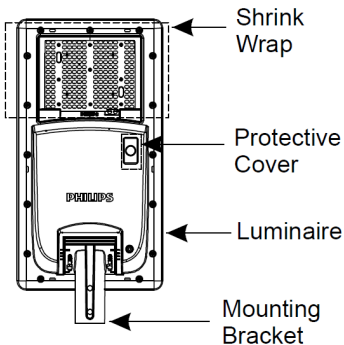
1. Turn OFF power switch when opening the luminaire for any reason. Luminaire must be removed from pole during any servicing.
2. External or otherwise artificially concentrated sunlight shall not be directed onto the front or back face of the PV module.
3. Carefully re-install all seals and gaskets when servicing the luminaire.
4. This luminaire will not operate below 0 degree ambient.
5. Maximum installation height is 16 ft. (5m).
6. Before installation check the luminaire by pressing the ON/OFF power switch and make sure that it is glowing.
7. After three months of manufacturing it is necessary to check the glowing of the luminaire, if it is not working then contact customer care.
8. The light source of this luminaire is **not** replaceable; when the light source reaches its end of life the whole luminaire shall be replaced.
9. **Torque of Pole mounting M8X45 bolts and Angle adjustment M8X30 bolts should be 6 lbs-ft (8 Nm).**



REQUIRED TOOLS: M8 SOCKET/OPEN –END WRENCH

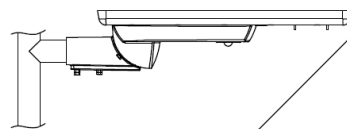
HARDWARE SUPPLIED: (2) M8X45 BOLTS, (2) M8 NUTS, (2) M8X30 BOLTS W/PLAIN & SPRING WASHER

1 Take the product out of the packing box.



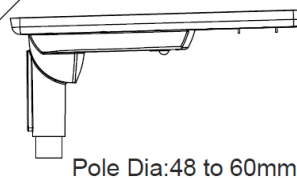
Note: Remove Shrink Wrap and Protective cover before installation.

2 Mount the luminaire with the Pole.
Horizontal Mounting



Note: Tightened the bolts with torque of 8Nm.

Vertical Mounting



3 For Vertical Mounting installation Unscrew the Screw and remove the pole Mounting Bracket and assemble it as shown in Fig. B.

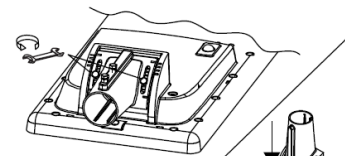


Fig. A

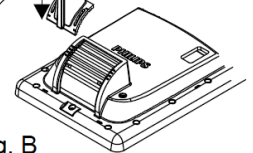
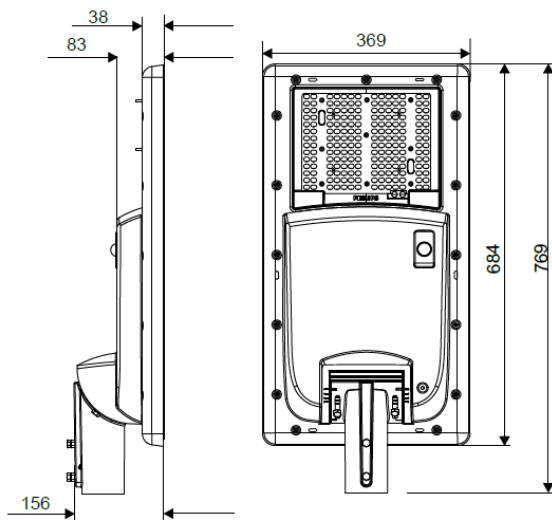


Fig. B

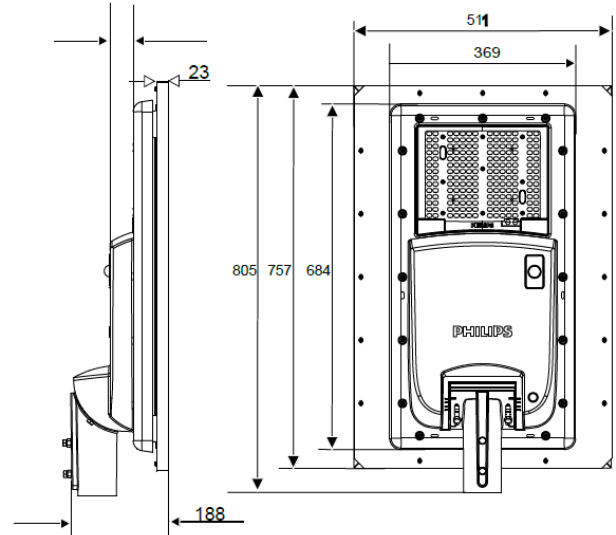
BRP710

SolarForm Installation Instruction

SolarForm Dimensions



BRP710 - 2000 and 3000 lm

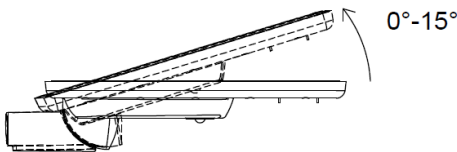


BRP710-4500 and 6000lm

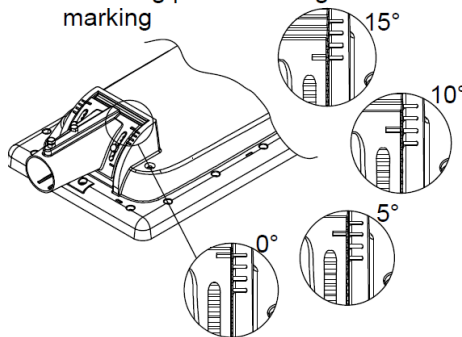
REQUIRED TOOLS: M8 SOCKET/OPEN –END WRENCH

HARDWARE SUPPLIED: (2) M8X45 BOLTS, (2) M8 NUTS, (2) M8X30 BOLTS W/PLAIN & SPRING WASHER

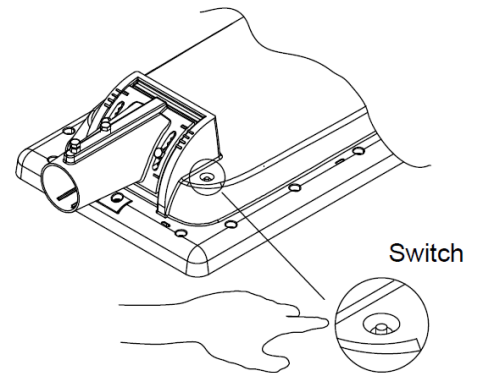
4 Below mentioned inclinations are possible.
0°, 5°, 10°, 15°.



5 For accurate angle positioning, marks are made over the clamping position of the luminaire. Match the pole mounting piece marking with luminaire marking



6 To switch ON the luminaire Press the switch button shown in below figure.



PIR and Dimming Profile Technical Specifications

With PIR and Dimming

Dimming Profile:

- From Dusk to first 5 hours sensor enabled with 30% brightness. Upon presence detection lights go to 100%.
- Next 5 hours sensor disabled and fixed at 30% brightness level.
- Next 2 hours / dawn sensor enabled with 30% brightness level. Upon presence detection lights go to 100%.

No PIR and Dimming

Dimming Profile:

- From Dusk – First 5 hours will be at 100% light output and rest of the night (till dawn) fixed at 30% brightness level

