

Project: _____

Location: _____

Cat.No: _____

Type: _____

Lamps: _____ Qty: _____

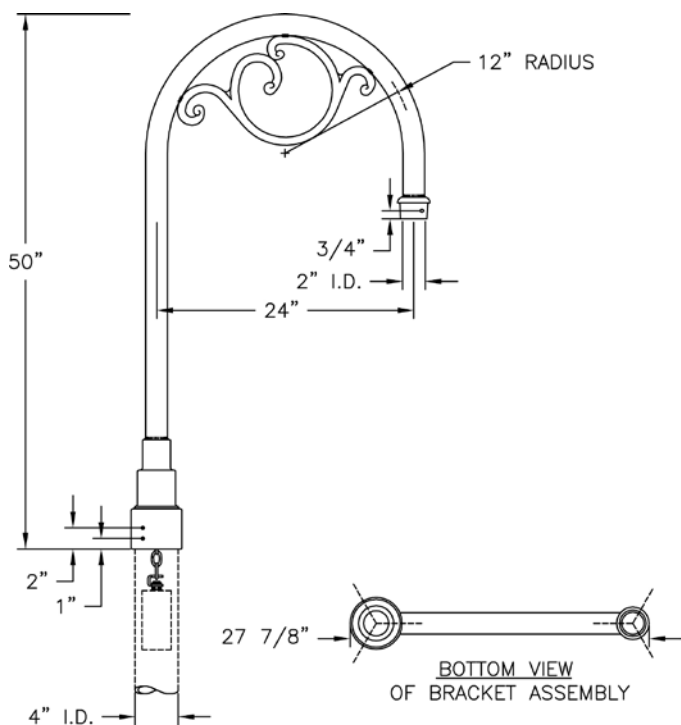
Notes: _____

Ordering Guide

Example: 249SPL ABS 50H E

Product Code	249SPL	Bracket Arm	
Finish	ABS	Antique Brass	
	ACP	Antique Copper	
	ARD	Antique Red	
	ASI	Antique Silver	
	BLK	Black	
	BRN	Brown	
	BRZ	Bronze	
	FGN	Forest Green	
	GRA	Granite	
	IRN	Ironstone	
	RBZ	Rustic Bronze	
	SRT	Shadow Rust	
	VBZ	Verde Bronze	
	VCP	Verde Copper	
	VGN	Verde	
VTC	Vintage Copper		
WBZ	Weathered Bronze		
WHT	White		
Wattage/Source	50H	50W MH	*1
	35S	35W HPS	*1
	50S	50W HPS	*1
	70S	70W HPS	
	100S	100W HPS	
	150S	150W HPS	*1
	150I	150W INC.	*1
Voltage	E	120V	
	F	208V	
	G	240V	
	H	277V	

*1 (E) 120V option only



Specifications

CONSTRUCTION:

2" dia. x .125" Wall aluminum tubing welded to 2" I.D. splicing fitter and 4" I.D. post fitter. Decorative cast aluminum scroll securely welded to bent arm. Cast aluminum 2" I.D. splicing fitter welded to bent arm. Cast aluminum 4" I.D. post fitter.

FINISH:

Resilient TGIC thermoset polyester powdercoat paint is electrostatically applied to every fixture. Specially formulated for Philips Outdoor Lighting, it provides UV protection, and the highest temperature rating in the industry. In addition to the standard color choices shown, a spectrum of custom colors is available.

BALLAST:

Post line ballast supplied with mounting hardware. (Contact factory for ballast selection.)

MOUNTING:

Fixture mounts to 4" I.D. post. Wire and wire nuts supplied for attaching to lantern and incoming power supply.

WARRANTY:

Three-year limited warranty.

249SPL Bracket arm

Arm bracket

Specifications

Height:

50"

Width:

27 7/8"

Max. Weight:

